



27 Jan 2016

Light Head Controller, Power Supply and Fault Alarm Unit for CEL MI- and HI- light series

CEL L-series LHC 700

Key features

- Suitable for up to 4no. CEL MI-lights or 2no. CEL HI-lights
- Constant power consumption with active PFC
- Light head monitoring and alarm generation
- Internal photocell for day/night mode changes
- Multiple LHCs synchronisations
- LCD display and keypad for easy configuration
- Ethernet communication for large systems
- Low maintenance costs
- 5 years warranty

Electrical characteristics

- Operating voltage variations:
 - 48V_{DC} (36.. 75)
 - 100V_{AC} (85.. 115V_{AC})
 - 115V_{AC} (98..132V_{AC})
 - 200V_{AC} (170...230V_{AC})
 - 230V_{AC} (207... 253V_{AC})
- 2 x 350W output power
- Constant power input, same peak and average power consumption
- Overvoltage protection
- Operating temperature range -55°C to +55°C
- Flash rate: 20, 40 and 60fpm
- Flash duration: 100, 150 and 200ms
- Two Ethernet ports, built-in Ethernet switch

Mechanical characteristics

- Enclosure stainless steel AISI304
- Ingress protection IP65
- Cable glands: 7 x M25, 7 x M16
- Wind load less than 1200N @ 200km/h
- Dimensions: 970 x 450 x 200mm (L x W x D)
- Weight: 45kg

Alarm relay characteristics

- Potential free DPCO monostable (NC, NO, COM)
- Contact voltage AC max 125V
- Contact voltage DC max 30V
- Contact current max 1A
- Contact resistance max 0.15ohm

Available options

- GPS flash synchronisation
- GSM control and fault reporting
- External photocell
- Fibre optic communication
- Control panel for large system controlling and monitoring

Made in EU

Page 1 of 6

Technical information in this document is subject to change without notice. Copyright© CEL2012 May 2015



Picture for reference only

CEL-LHC-230-700 without mounting set

Order codes:

CEL-LHC-048-700 for 48 V_{DC} system
CEL-LHC-100-700 for 100 V_{AC} system
CEL-LHC-115-700 for 115 V_{AC} system
CEL-LHC-200-700 for 200 V_{AC} system
CEL-LHC-230-700 for 230 V_{AC} system

T: +44 (0)20 8540 1034
F: +44 (0)20 8543 3058
E: info@contarnex.com

Contarnex Europe Limited
252 Martin Way,
Morden, Surrey SM4 4AW
United Kingdom

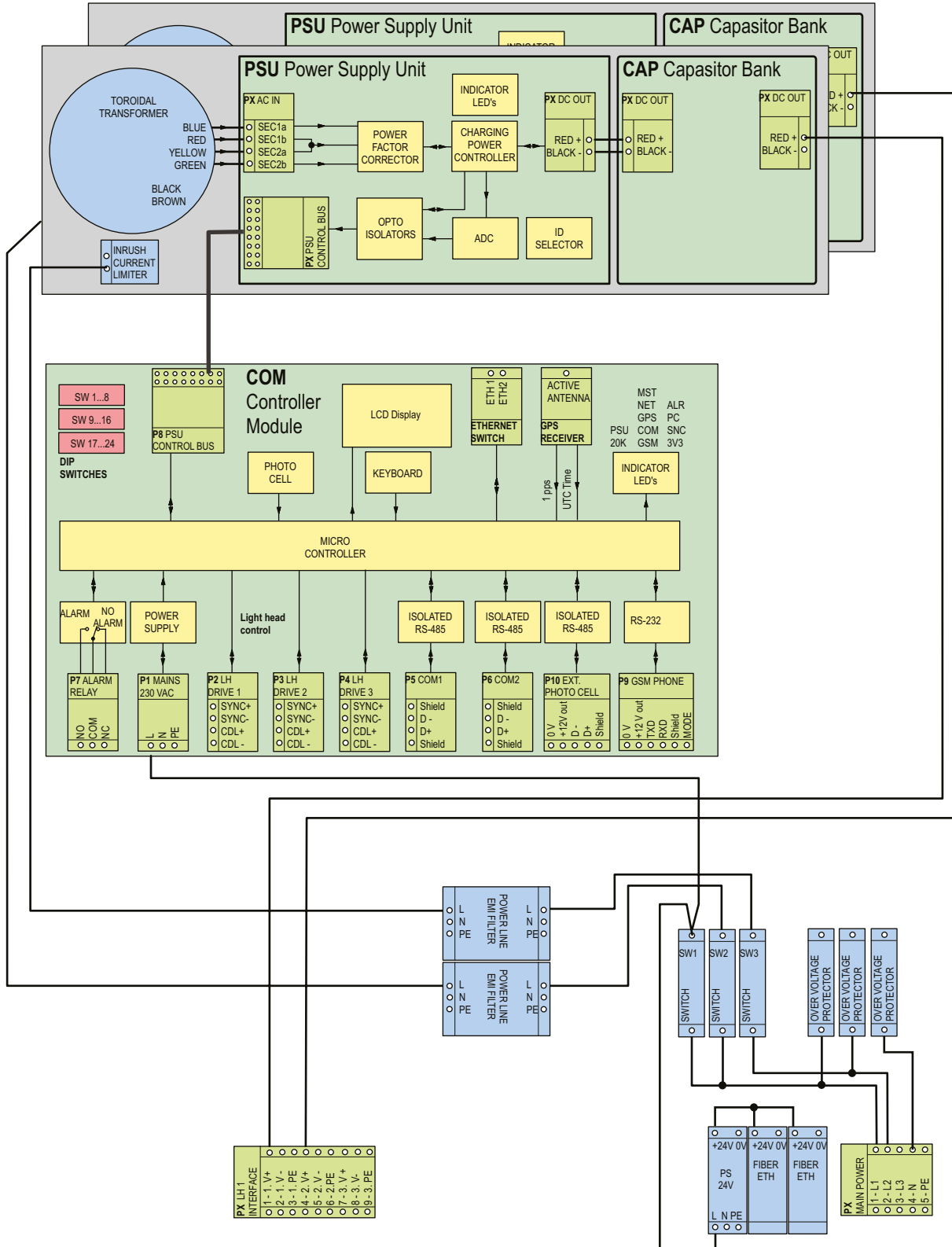


www.contarnex.com

Light Head Controller, Power Supply and Fault Alarm Unit for CEL MI- and HI- light series

CEL L-series LHC 700

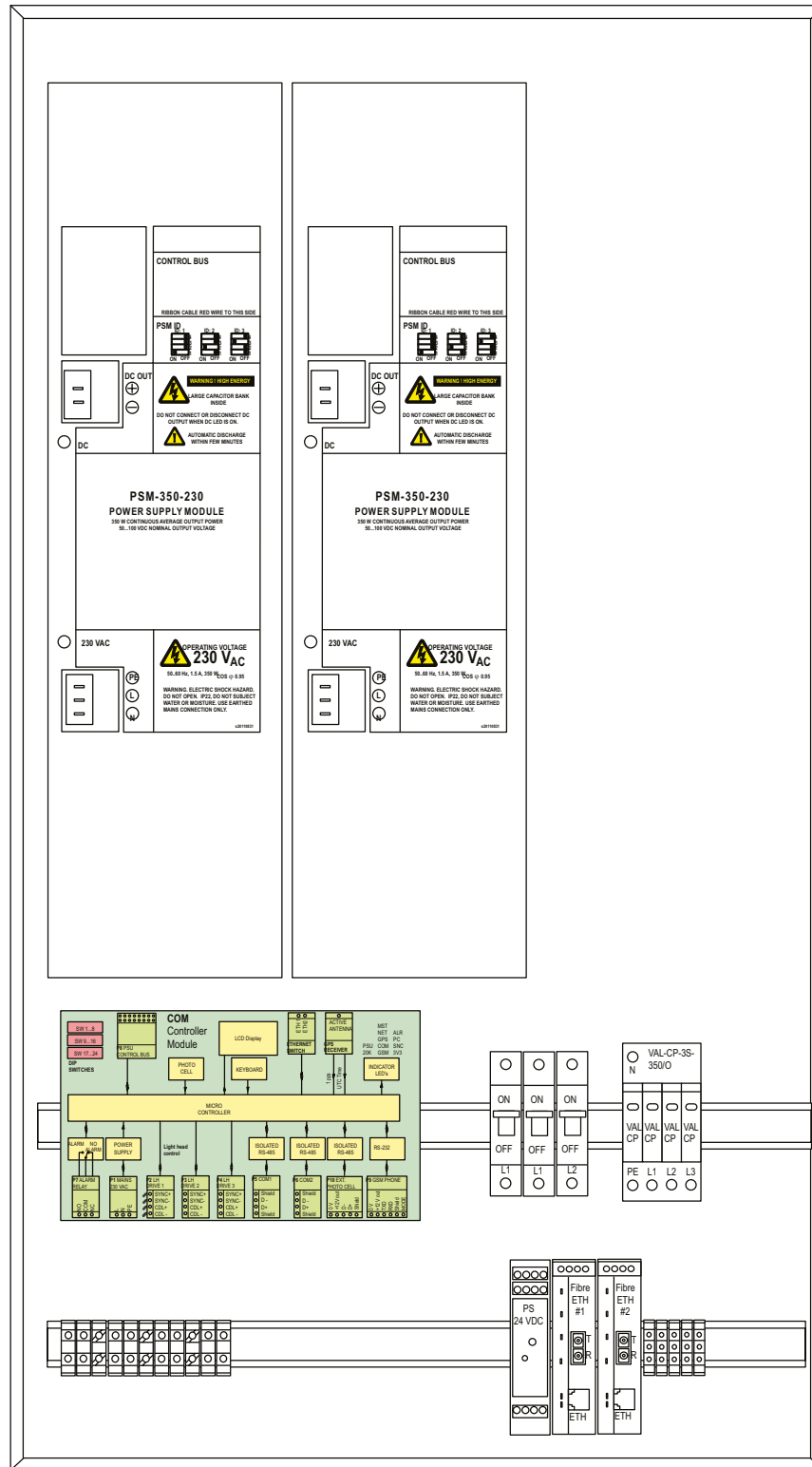
SIMPLIFIED WIRING DIAGRAM



Light Head Controller, Power Supply and Fault Alarm Unit for CEL MI- and HI- light series

CEL L-series LHC 700

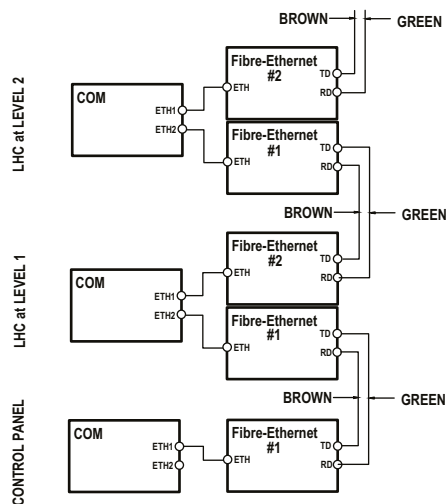
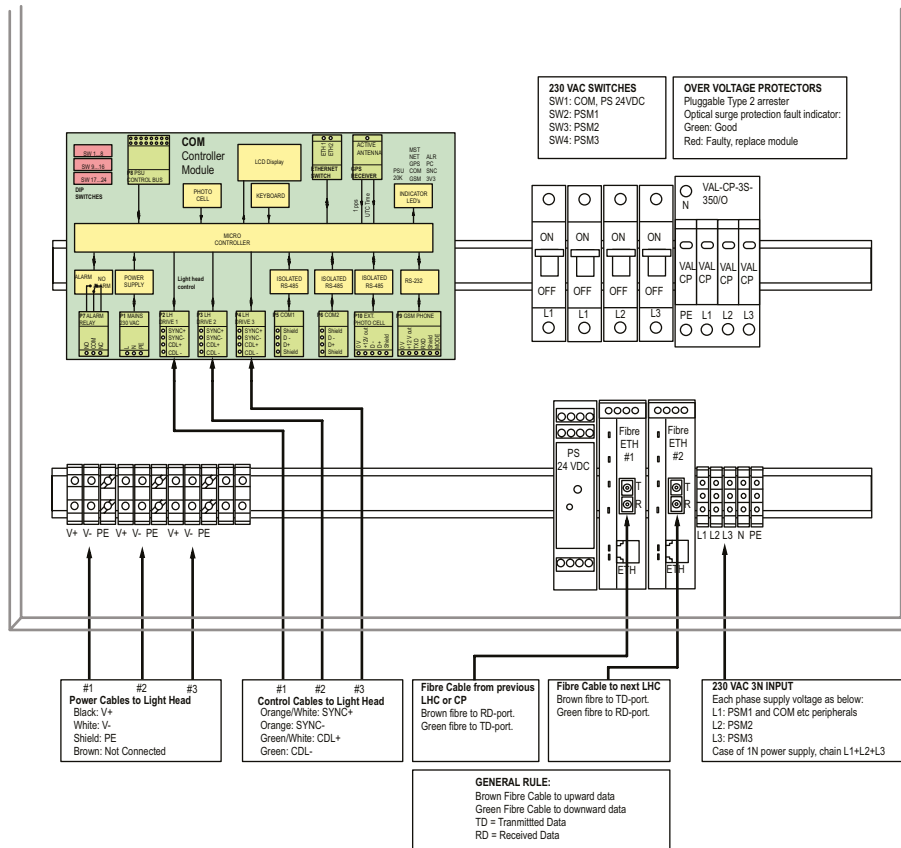
LHC CABINET LAYOUT



Light Head Controller, Power Supply and Fault Alarm Unit for CEL MI- and HI- light series

CEL L-series LHC 700

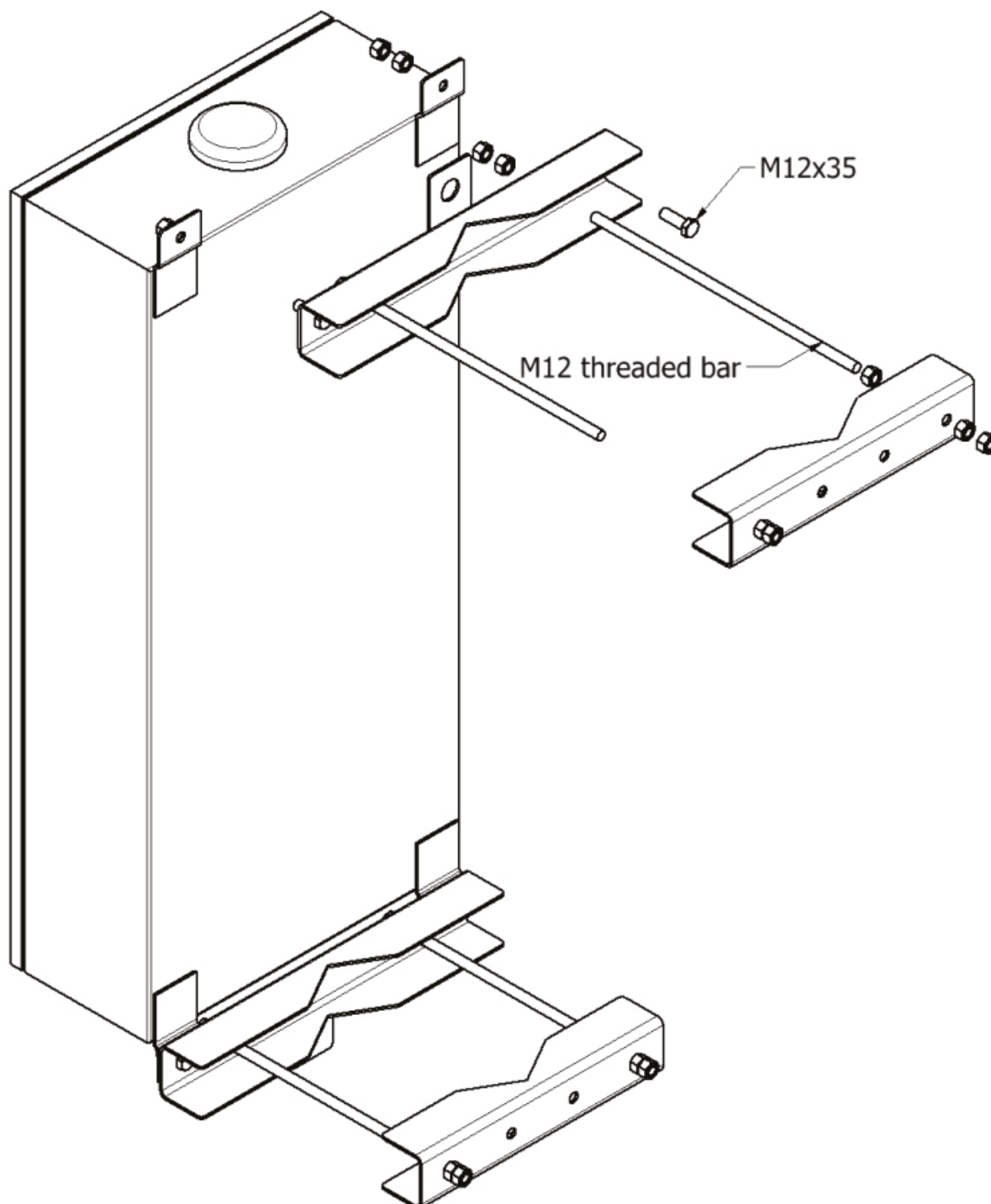
CONNECTIONS



Light Head Controller, Power Supply and Fault Alarm Unit for CEL MI- and HI- light series

CEL L-series LHC 700

MOUNTING SET



Light Head Controller, Power Supply and Fault Alarm Unit for CEL MI- and HI- light series

CEL L-series LHC 700

MECHANICAL DIMENSIONS

