



Control Panel to control multiple LHCs with synchronisation, status monitoring and reporting

CEL Control Panel

Key features

- LHC monitoring and alarm generation
- Suitable for CEL Light Head Controllers
- Can synchronise multiple CEL Light Head Controllers
- Time and lux server
- Internal or external photocell
- Graphical user interface
- Communicates with LHCs using TCP/IP (v4)
- Easy to install
- 5 year warranty

Electrical characteristics

- Five operating voltages available (see order codes):
48V_{DC}, 100V_{AC}, 115V_{NC}, 200V_{AC}; and 230V_{AC}
- Overvoltage protection
- Operating temperature range -55°C to +55°C
- Two isolated RS-485 interfaces
- Two Ethernet ports, built-in Ethernet switch

Mechanical characteristics

- Enclosure painted steel
- Ingress protection rating IP66
- 4 cable glands: 3 x M25, 1 x M16
- Wind load less than 1200N @ 200km/h
- Dimensions: 400 x 300 x 210mm (L x W x D)
- Weight: 9kg

Alarm relay characteristics

- Dry-contact DPCO monostable (NC, NO, COM)
- Relay contact ratings:
AC voltage max 125V
DC voltage max 30V
Contact current max 1A
Contact resistance max 0.15ohm

Options:

- GPS synchronization
- GSM control and status reporting
- WEB server
- Fiber optic communication



CEL-CP-230

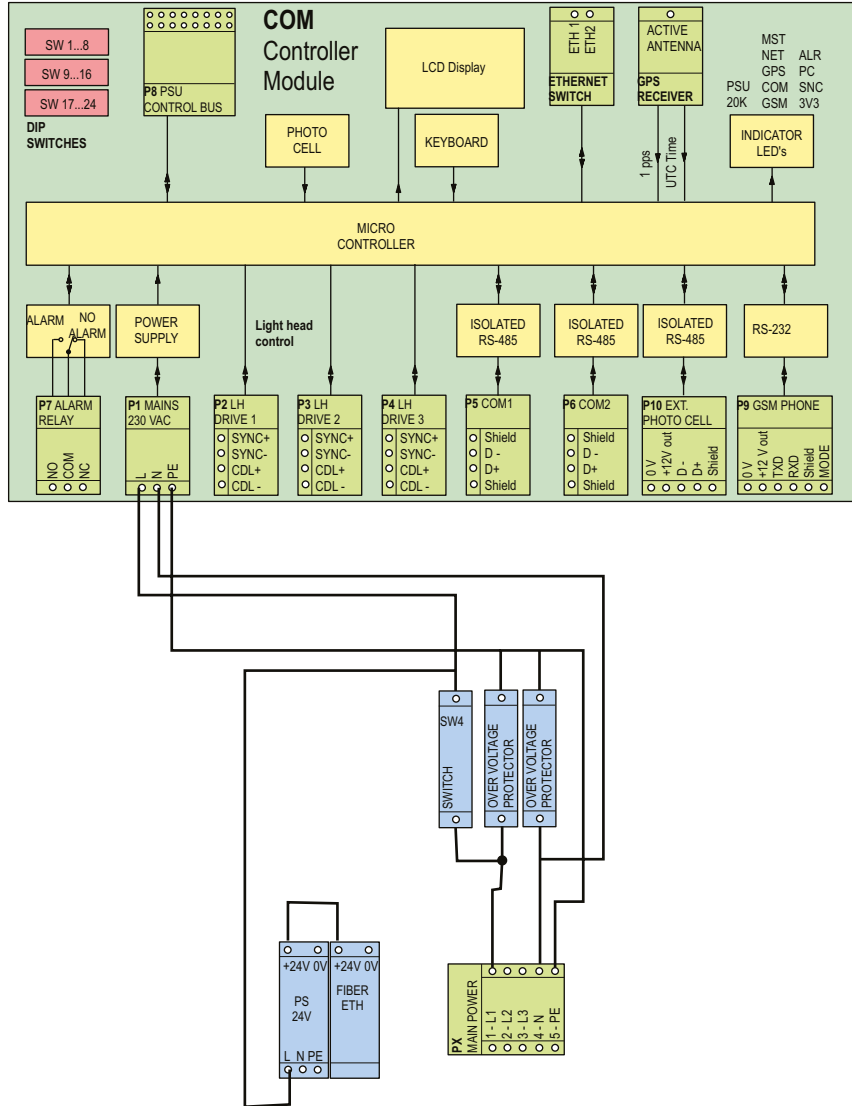
Order codes:

CEL CP-230 for 230V_{AC} system
CEL CP-200 for 200V_{AC} system
CEL CP-115 for 115V_{AC} system
CEL CP-100 for 100V_{AC} system
CEL CP-048 for 48V_{DC} system

Control Panel to control multiple CEL LHCs with synchronisation, status monitoring and reporting

CEL Control Panel

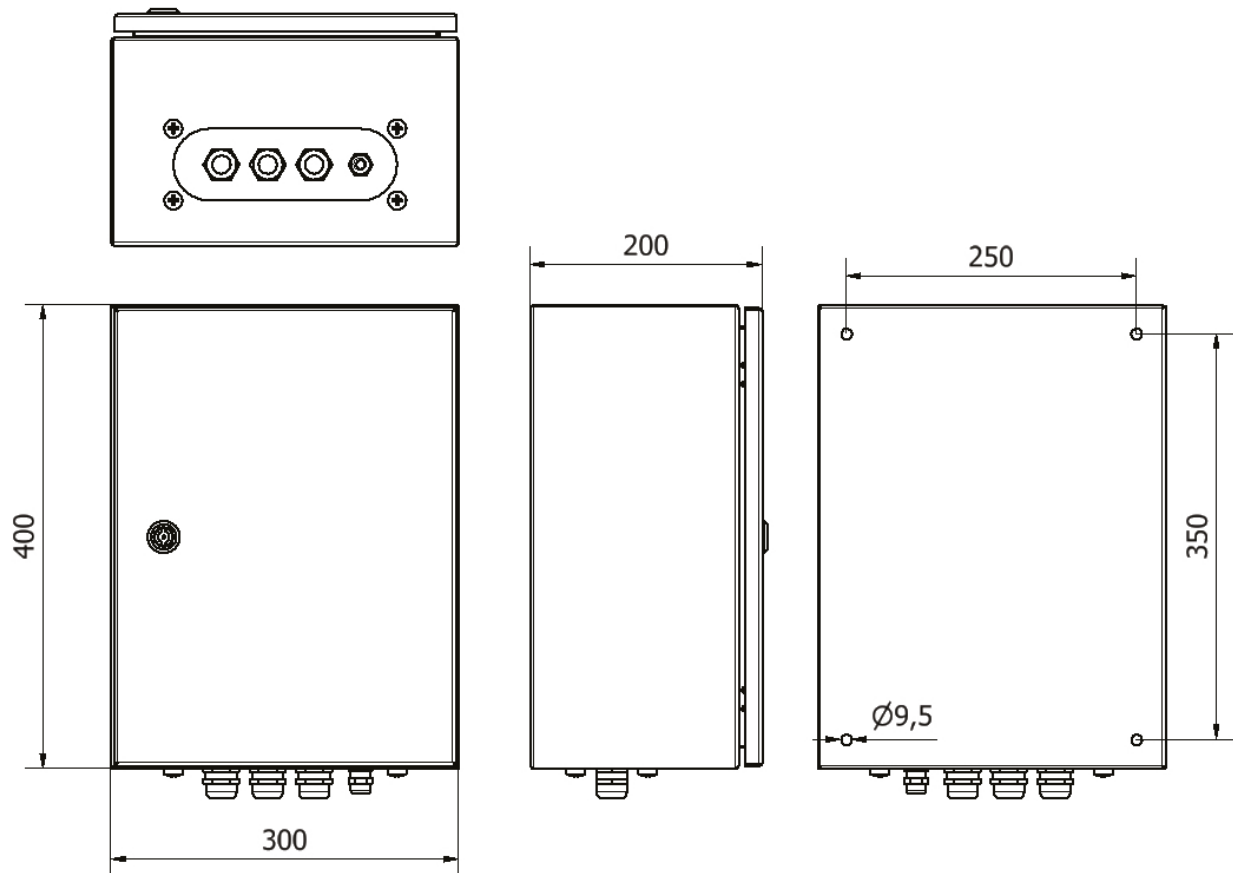
SIMPLIFIED WIRING DIAGRAM



Control Panel to control multiple CEL LHCs with synchronisation, status monitoring and reporting

CEL Control Panel

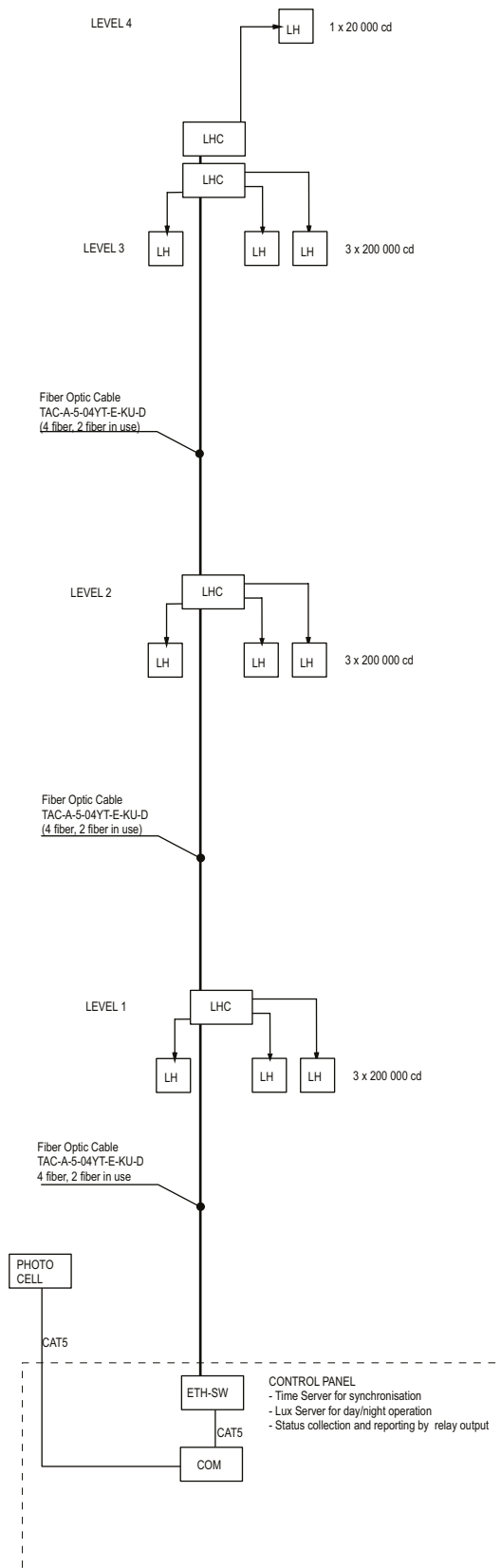
MECHANICAL DIMENSIONS



Control Panel to control multiple CEL LHCs with synchronisation, status monitoring and reporting

CEL Control Panel

TYPICAL APPLICATION 4-LEVEL BROADCAST MAST



Control Panel to control multiple CEL LHCs with synchronisation, status monitoring and reporting

CEL Control Panel

MULTILEVEL CONNECTIONS

