

# High-Intensity 100,000cd white/red ICAO Type B+C Stand Alone LED flashing obstruction light

CEL-HI-100KWD-230-A

CEL high-intensity stand-alone aviation warning lights are designed for marking tall structures such as tall buildings, wind turbines, chimneys, masts, and towers.

The standalone light offers unique features such as built-in fault monitoring, photocell for day/night switching. No additional boxes or controllers are required for further operation. This light uses a unique environmental friendly optical lens solution that minimizes light pollution to the environment.

## Key Features

- Based on LED-technology
- 100,000cd WHITE flashing light
- Incorporated photocell and fault monitoring
- GPS synchronisation and Ethernet connection on request
- More than 10 years of maintenance free operating time
- 5 year warranty

## Optical Characteristics

- 100,000cd flashing @ day white
- 20,000cd flashing @ twilight white
- 2,000cd flashing @ night red
- Colour aviation WHITE / RED
- Horizontal radiation pattern 360°
- Vertical beam 3°

## Specifications met

- ICAO International Standards and Recommended Practices:
- Aerodromes Annex 14 Volume 1, 5th Edition, July 2009, Chapter 6:
- High-intensity Type B - 100,000cd

## Electrical Characteristics

- Operating voltages 115 or 230 VAC
- Constant power input by active PFC
- Flash rates: 20 and 40 fpm
- Meets standards
- EMC (Emissions): EN 61000-6-4
- EMC (Immunity): EN 61000-6-2

continued....



High-Intensity 100 000cd Stand-Alone  
LED Aviation Obstruction Lights

# High-Intensity 100,000cd white/red ICAO Type B+C Stand Alone LED flashing obstruction light

CEL-HI-100KWD-230-A

## Electrical Characteristics continued...

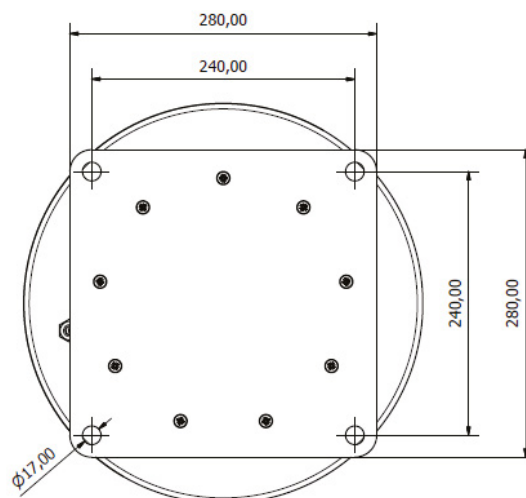
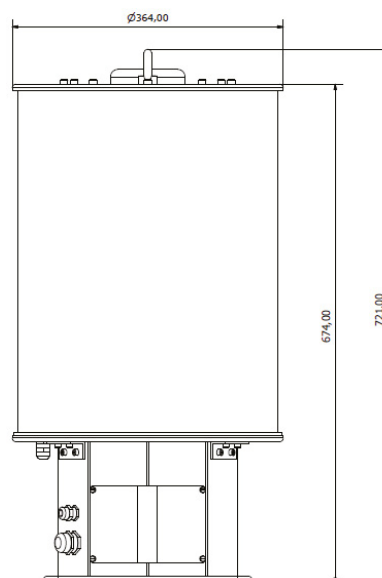
- Power consumption (40 fpm)
  - 275W @ Day
  - 55W @ Twilight
  - 23W @ Night
- Recommended cables:
  - Power: 3x2,5mm (Outdoor) L-N-PE
  - Data: CAT 7 (Outdoor)
  - Alarm: CAT 7 (Outdoor)

## Mechanical Characteristics

- Anodised marine grade aluminium body
- Glass cover
- Degree of protection IP65
- Operating temperature range -55...+55°C
- Mounting 240x240mm, Ø17
- Height 721mm, diameter 364mm
- Weight 41kg

## Additional Factory-Installed Options

- GPS flash synchronization
- Ethernet data interface
- NVG Compliant infrared



Order code	Output	ICAO	Op. volt.	Pow. cons.	Fault monitoring	Packing dimensions
CEL-HI-100KW-230-A	100,000cd	Type B	230 VAC	280 VA	Yes	800x600x400, 50kg
CEL-HI-100KW-115-A	100,000cd	Type B	115 VAC	280 VA	Yes	800x600x400, 50kg
CEL-HI-100KWD-230-A	100,000cd	Type B	230 VAC	280 VA	Yes	800x600x400, 50kg
CEL-HI-100KWD-115-A	100,000cd	Type B	115 VAC	280 VA	Yes	800x600x400, 50kg

## Additional options

- CEL-OPT-GPS (GPS synch.)
- CEL-OPT-IR (Infrared)
- CEL-OPT-ETH (Ethernet)