

24V_{DC} Combo: MOD compatible Infra-Red and Visual Red Obstruction Light

CEL-IR850-R-24-CST - LED Aircraft Warning Light

Application

Night vision goggles compatible 850nm infrared and visual red obstruction light for wind turbines and other vertical structures that cause aviation safeguarding concerns

Key features

- Based on LED technology
- IR and Red light can be Controlled separately
- Extremely reliable
- Very long life time
- Low power consumption
- 24V_{DC} operating voltage
- Stabilised light output
- Easy to install
- Mounting set and terminal box included

Benefits

- Long maintenance intervals
- Low energy costs
- Input power voltage variations do not affect to light output
- Very low lifetime costs

Specification met

MOD Obstruction Lighting Guidance, Low Flying Operations Sqn (MOD CAS-AS LFOS) - 21 Nov 2014

Radiometric characteristics IR

- Typical intensity 300mW/sr, Peak 600mW/sr
- Colour Infrared 850nm
- Horizontal radiation pattern 360°
- Vertical radiation pattern -15° ... +30°
- Current for the LEDs is stabilised by constant current generator
- Expected lifetime without light output falling 25% >100,000hrs

Optical characteristics Red

- Intensity >40cd
- Colour aviation red
- Horizontal radiation pattern 360°
- Vertical radiation pattern 0° ... +15°
- Current for the LEDs is stabilised by constant current generator
- Expected lifetime without light output falling 25% >1 00,000 hrs

Electrical characteristics

IR

- Nominal operating voltage 24V_{DC}
- Operating voltage range 22.5 ... 28V_{DC}
- Power consumption <15W (<0.6A constant current)
- Average power consumption with 60fpm, 250ms flashing mode 3,8W

RED

- Nominal operating voltage 24V_{DC}
- Operating voltage range 22.5 ... 28V_{DC}
- Power consumption <5W (< 0.2 A constant current)
- Average power consumption with 60fpm, 250ms flashing mode 1,2W



Other

- Black anodised aluminium light unit body
- Galvanised mounting arm
- Acid proof U-bolts and hex nuts
- Uncoloured glass cover
- Degree of protection IP65
- Operating temperature range -55 ... +55°C
- Height 200mm, diameter 140mm
- Total weight with mounting set 3.4kg
- 5 year warranty

Order Code: CEL-IR850-R-24-CST

Options

- CSW-24-16-GPS, flash controller and fault monitoring unit with GPS-synchronisation



T: +44 (0)20 8540 1034
F: +44 (0)20 8543 3058
E: info@contarnex.com

Contarnex Europe Limited
252 Martin Way,
Morden, Surrey SM4 4AW
United Kingdom



24V_{DC} Combo: MOD compatible Infra-Red and Visual Red Obstruction Light

CEL-IR850-R-24-CST - LED Aircraft Warning Light

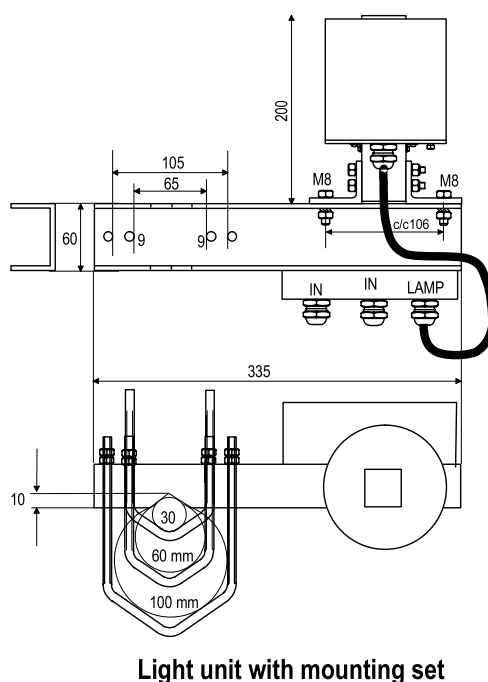
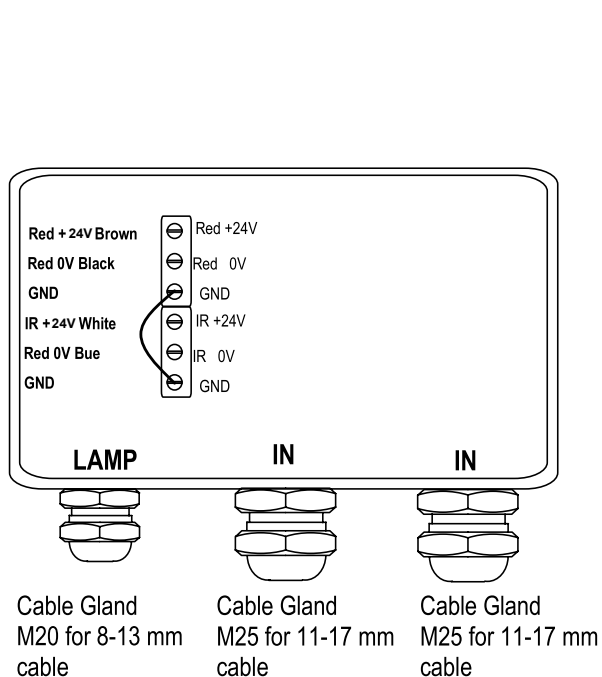
CEL LED obstacle lights cabling and installation principles are similar to those of conventional obstacle lights, the only exception being the correct polarity required by DC feed.

Terminal box include screw terminals and overvoltage protectors.

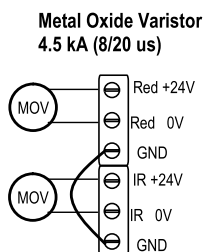
All connection alternatives can be protected with a 6A or 10A fuse or with a circuit breaker (C curve).

Installation specifications

- Cable gland for lamp: M20, 8-13mm cable
- Cable gland for IN T: M25, 11-17mm cable
- Wire diameter: max. 6 mm²
- Recommended cable: 3 x 1.5mm², 3 x 2.5mm²
5x1.5mm² or 5x2.5mm²



Over voltage protectors



Connection Terminal Box Dims 160 x 107 x 56mm

