



32cd Low-intensity Obstruction Light 24V_{DC} - ICAO Type B. FAA L-810.

CEL-32-24-F LED Aircraft Warning Light (1st Generation)

Key features

- Extremely reliable - long lifetime
- Very low power consumption
- 24V_{DC} nominal supply voltage
- Intensity more than 32cd
- Stabilised light output
- Lightweight and small - low wind load factor
- Easy to install
- Absolutely no RF-radiations

Benefits

- Long maintenance intervals
- Low energy cost
- Supply power voltage variations do not affect light output
- Very low total lifetime costs
- Low wind load
- Comes with five (5) year warranty

Specifications met

- ICAO International Standards and Recommended Practices:
Aerodromes - Annex 14 Volume 1, 5th Edition, July 2009,
Chapter 6: Low-intensity, Type B Fixed Obstacle Light
- FAA Advisory Circular 150/5345-43F 09/12/06 L-810 Light Unit

Optical characteristics

- Intensity better than 32cd
- Colour aviation red
- Horizontal radiation pattern 360°
- Vertical radiation pattern 50°
- LED supply current stabilised by constant current generator
- Light output degradation less than 25% after 100.000hrs of operation

Electrical characteristics

- LEDs in several separate groups
- Nominal operating voltage 24V_{DC}
- Power consumption less than 5,6W (< 0,47A Constant Current)
- Operating voltage range 22 to 3V_{DC}
- Two-stage over-voltage protection
- Terminal box for 2,5mm² wires
- Easy to chain

Mechanical characteristics

- Yellow painted aluminium body
- Colourless (clear) glass cover
- Weather protection to IP65
- Operating temperature range -55°C ... +55°C
- Height 235mm, diameter 120mm, weight 0,9kg
- Wind load with CEL-MS-60 mounting kit @ 200km/h less than 40N

Order Code: **CEL-32-24-F**



CEL-32-24-F



T: +44 (0)20 8540 1034
F: +44 (0)20 8543 3058
E: info@contarnex.com

Contarnex Europe Limited
252 Martin Way,
Morden, Surrey SM4 4AW
United Kingdom



32cd Low-intensity Obstruction Light

24V_{DC} - ICAO Type B. FAA L-810.

CEL-32-24-F LED Aircraft Warning Light (1st Generation)

CEL-32-24-F is an obstacle light utilising LED technology. The cabling and installation principles are similar to those of conventional obstacle lights, the only exception being the correct polarity required by DC feed.

The recommended polarity is:

- Blue -
- Black or Brown +

All connection alternatives can be protected with a 6A or 10A fuse or with a circuit breaker (C curve).

Technical specifications

- Operating voltage: 24V_{DC}
- Power consumption: <8.5W
- Current consumption: < 0,35A
- Two-stage overvoltage protection
- Weather protection: IP65
- Operating temperature range: -55 ... +55°C
- Height: 235mm
- Diameter: 120mm
- Glass cover thickness: 5mm
- Terminal box: yellow powder painted die cast Aluminium
- Weight: 0.9kg

Installation specifications

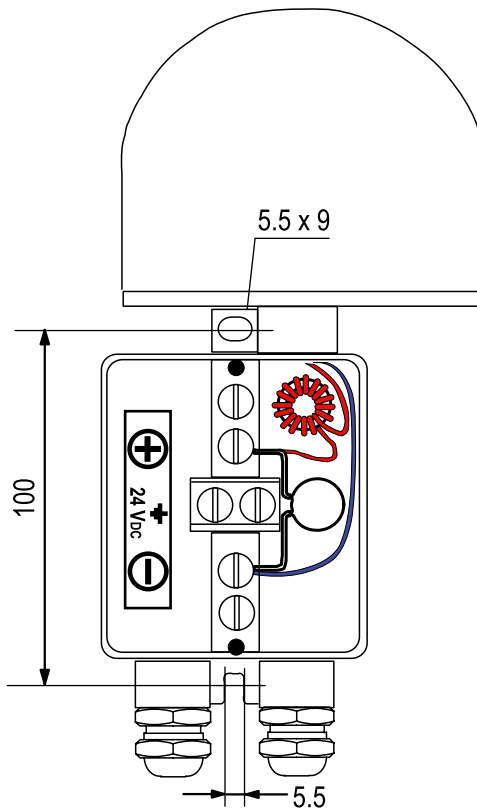
- Cable gland: PG 16
- Cable diameter: 8 ... 14mm
- Wire diameter: max. 6mm²
- Recommended cable: 4x1.5+1.5 or 2x1.5+1.5mm²
- Fixing hole distance: 100mm
- Fixing screw diameter: max. 5mm
- Fixing base thickness: 5mm

Mounting sets

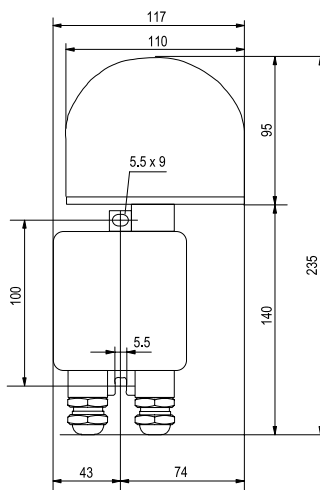
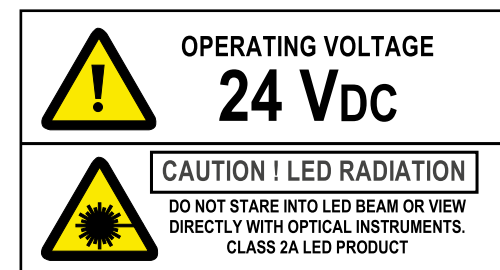
- CEL-MS-60: Mounting onto Ø 30 ... 60mm pipes
- CEL-MS-100: Mounting onto Ø 60 ... 100mm pipes
- U-bolts and hex nuts M8: acid-proof steel
- Mounting plate: black anodised aluminium

Options

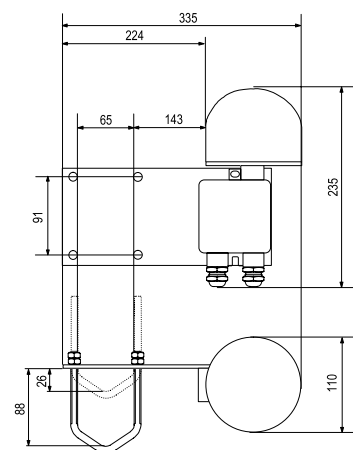
- CEL-MS-60 Mounting kit
- CEL-MS-100 Mounting kit
- CEL-PCFL-DC1-TB Photocell
- CEL-CSW Photocell/Change Switch Unit



CEL-32-24-F terminal box



CEL-32-24-F dimensions



CEL-MS-60 Mounting Set dimensions