



10cd Low-intensity Obstruction Light

230V_{AC} ICAO Type A - replacement unit

CEL-10-230-E27

Key features

- Based on LED technology
- Extremely reliable - long lifetime
- Very low power consumption
- 230VAC nominal supply voltage
- Stabilised light output
- Easy to install
- Absolutely no RF-radiations
- Safe and easy to use

Benefits

- Long maintenance intervals
- Low energy cost
- Supply power voltage variations do not affect light output
- Very low total lifetime costs
- Comes with five (5) years warranty

Specifications met

- ICAO International Standards and Recommended Practices:
Aerodromes - Annex 14 Volume 1, 5th Edition, July 2009,
Chapter 6: Low-intensity, Type A Fixed Obstacle Light

Optical characteristics

- Intensity better than 10cd
- Colour aviation red
- Horizontal radiation pattern 360°
- Vertical radiation pattern 50°
- LED supply current stabilised by constant current generator
- Light output degradation less than 30% after 100,000 hrs of operation

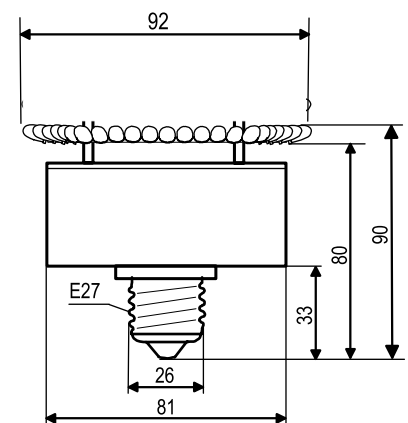
Electrical characteristics

- LEDs in separate groups
- Nominal operating voltage 230V_{AC}
- Power consumption 2.3VA
- Operating voltage range 210 to 250V_{AC}
- Internal 230V_{AC} / 48V_{DC} power supply
- Two-stage over-voltage protection

Mechanical characteristics

- Yellow ABS+PC body
- Degree of protection IP30
- Operating temperature range -55°C ... +55°C
- Height 90mm, diameter 92mm, weight 0,3kg

Order Code: CEL-10-230-E27



CEL-10-230-E27



T: +44 (0)20 8540 1034
F: +44 (0)20 8543 3058
E: info@contarnex.com

Contarnex Europe Limited
252 Martin Way,
Morden, Surrey SM4 4AW
United Kingdom

