



# 32cd Low-intensity Obstruction Light

## 230V<sub>AC</sub> ICAO Type B - FAA L-810 - replacement unit

CEL-32-230-E27

### Key features

- Based on LED technology
- Extremely reliable - long lifetime
- Very low power consumption
- 230VAC nominal supply voltage
- Intensity more than 32cd
- Stabilised light output
- Easy to install

### Benefits

- Long maintenance intervals
- Low energy cost
- Supply power voltage variations do not affect light output
- Very low total lifetime costs
- Comes with five (5) years warranty

### Specifications met

- ICAO International Standards and Recommended Practices: Aerodromes - Annex 14 Volume 1, 5th Edition, July 2009, Chapter 6: Low-intensity, Type B Fixed Obstacle Light
- FAA Advisory Circular 150/5345-43F 09/12/06 L-810 Light Unit

### Optical characteristics

- Intensity better than 32cd
- Colour aviation red
- Horizontal radiation pattern 360°
- Vertical radiation pattern 50°
- LED supply current stabilised by constant current generator
- Light output degradation less than 30% after 100,000hrs of operation

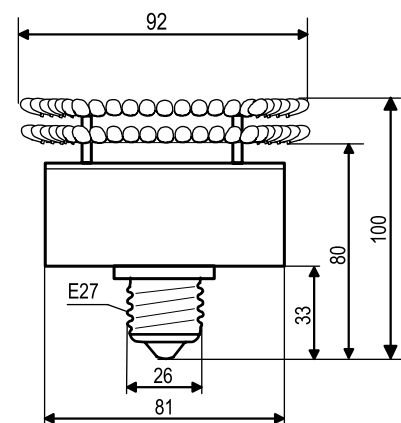
### Electrical characteristics

- LEDs in several separate groups
- Nominal operating voltage 230V<sub>AC</sub>
- Power consumption 3.5VA
- Operating voltage range 210 to 270V<sub>AC</sub>
- Two-stage over-voltage protection

### Mechanical characteristics

- Yellow ABS body
- Weather protection to IP 30
- Operating temperature range -55°C ... +55°C
- Height 100mm, diameter 92mm, weight 0.4kg

**Order Code: CEL-32-230-E27**



**CEL-32-230-E27**



T: +44 (0)20 8540 1034  
F: +44 (0)20 8543 3058  
E: info@contarnex.com

Contarnex Europe Limited  
252 Martin Way,  
Morden, Surrey SM4 4AW  
United Kingdom

