



Power Supply Unit - 230VAC/48VDC, 1.8A Photocell & Flash Controller for CEL Obstacle lights

CEL-PS-230-48-1A8-PCFL

Key features

- Extremely reliable - long lifetime
- Optimised for CEL LED-obstacle lights
- Degree of protection IP67
- Die cast aluminium enclosure
- Easy to install
- No RF-radiations
- 5 years warranty

Electrical characteristics

- Input voltage 230 or 115VAC
- Power consumption max 90VA
- Output voltage 48VDC
- Maximum output current 1.8A

Mechanical characteristics

- Yellow powder painted die cast aluminium body
- Degree of protection to IP67
- Operating temperature range -55°C to +55°C
- Height 348mm, width 205mm, depth 115mm
- Weight 4kg

PCFL Photocell & Flash Controller

- Extremely reliable
- Very low power consumption
- Optimised for CEL LED Obstacle lights
- Overvoltage protection

Electrical characteristics

- Switching current max. 8A
- Current consumption (<4mA @ 48V)

Photocell characteristics

- Turn on delay 1 s
- Turn off delay 200 s
- User selectable photocell sensitivity (bold = factory default)
OFF/200 lux / 400 lux / **800 lux**

Flash controller characteristics

- User selectable flashing rate (bold = factory default)
Steady burning / 20 fpm / 40 fpm / 60 fpm
- 250ms flash duration

Made in EU



CEL-PS-230-48-1A8-PCFL

Power Supply with Photocell & Flash Controller

Order Codes:

CEL PS-230-48-1A8-PCFL for 230 Vac system
CEL PS-115-48-1A8-PCFL for 115 Vac system

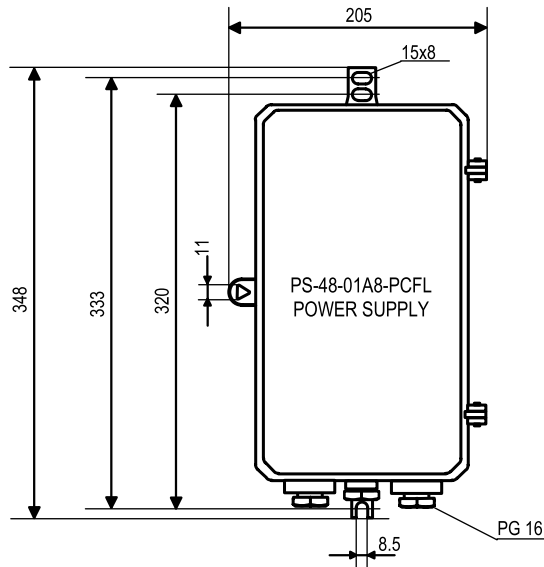
T: +44 (0)20 8540 1034
F: +44 (0)20 8543 3058
E: info@contarnex.com

Contarnex Europe Limited
252 Martin Way,
Morden, Surrey SM4 4AW
United Kingdom

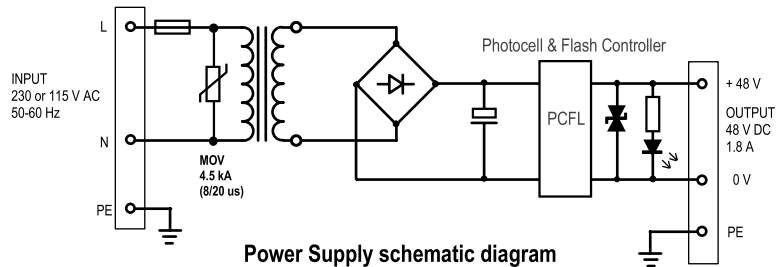


Photocell & Flash Controller for CEL Obstacle lights

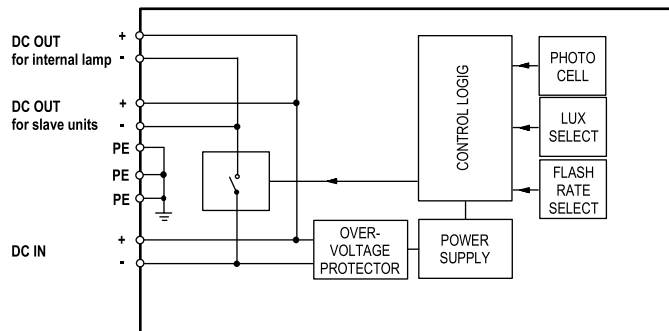
CEL-PS-230-48-1A8-PCFL



Mechanical dimensions



Power Supply schematic diagram



PCFL block diagram