

polartherm oy

AIR HEATING EQUIPMENT



AUTOMATIC BARREL CLEANING AND DECOPPERING

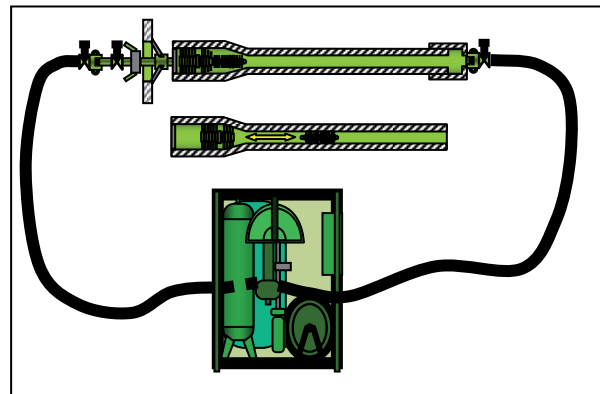
Polar CLEAR-BORE System * LARGE CALIBER *

Operates on Visco-Hydraulic use of the proprietary cleaning/ decoppering fluid. System allows cleaning and decoppering without removing barrel from carriage/turret. Average Cleaning/Decoppering Time: 1 to 2 hours.



Cleaner unit with covers removed

- One-Man setup & takedown
- Very efficient copper removal
- Modular design
- One unit for all barrel sizes
- No toxic chemicals used
- Several versions available from Self-Contained to manual



Cleaner Principle of Operation

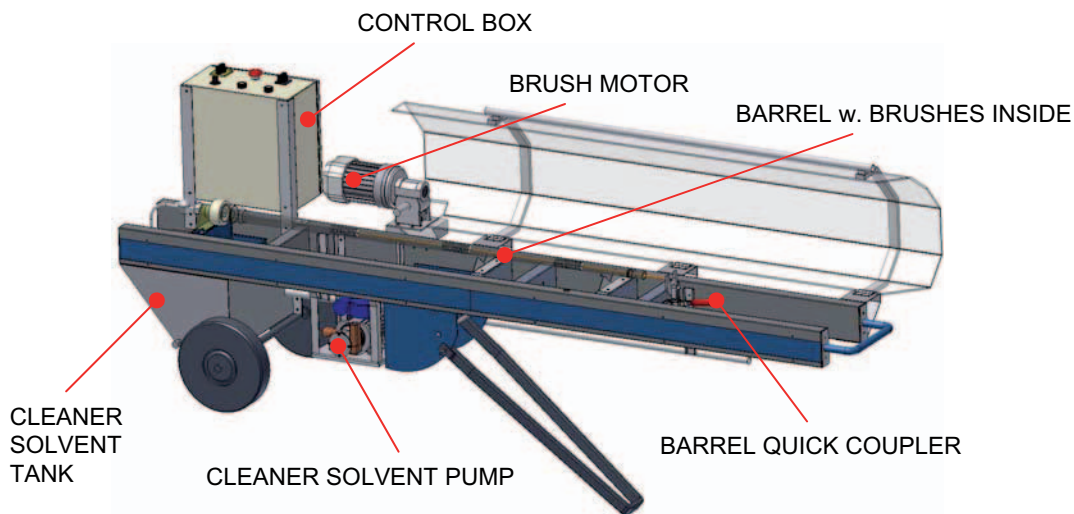


Operates on the proprietary cleaning/decoppering fluid.

Average Cleaning/Decoppering Time:
30 TO 45 MINUTES.

AUTOMATIC BARREL CLEANING AND DECOPPERING

Polar CLEAR-BORE System * SMALL CALIBER *



- One-Man setup & takedown
- Very efficient copper removal
- One unit for all small calibers

- No toxic chemicals used
- Several versions available including "Gatling" design