

**10 - 60 V<sub>DC</sub> ICAO Low-intensity, Type A Obstacle Light**
**Key features**

- Based on LED-technology
- Extremely reliable - long lifetime
- Suitable for off-shore use
- Very low power consumption
- Wide 10 to 60 VDC input voltage
- Stabilised light output
- Lightweight and small – low wind load factor
- Easy to install, several mounting sets available
- Two cable glands, easy to chain without external junction boxes
- No RF-radiations
- Five (5) year warranty

**Benefits**

- Long maintenance intervals
- Low energy cost
- Supply voltage variations do not effect light output
- Very low total lifetime costs
- Low wind load

**Specifications met**

- ICAO International Standards and Recommended Practices:  
Aerodromes - Annex 14 Volume 1, 4rd Edition, July 2004,  
Chapter 6: Low-intensity, Type A Fixed Obstacle Light

**Optical characteristics**

- Intensity better than 10 cd
- Colour aviation red
- Horizontal radiation pattern 360°
- Vertical radiation pattern 15°
- LED supply current stabilised by constant current generator
- Light output degradation less than 30% after 100.000 h of operation

**Electrical characteristics**

- Input voltage range 10 to 60 V<sub>DC</sub>
- Power consumption less than 1.5 W
- Overvoltage protection

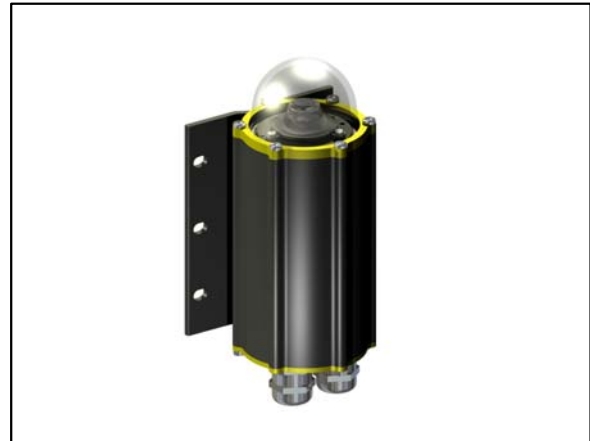
**Mechanical characteristics**

- Anodised marine grade aluminium body and end parts
- AISI 316 acid proof steel screws
- Colourless (clear) glass cover
- Terminal box for 1,5 - 6 mm<sup>2</sup> wires
- Degree of protection IP 65
- Operating temperature range -55°C to +75°C
- Height 210 mm, diameter 104 mm, weight 1.1 kg
- Wind load with MS-EV60 mounting kit @ 200 km/h less than 40 N

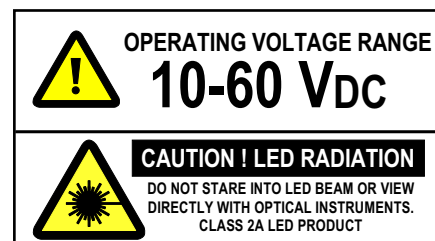
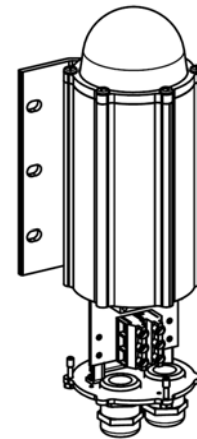
**Options**

- Mounting kits
- Photocell & Flasher: CEL - LI-10-DCW-PCFL

Order Code: **CEL - LI-10-DCW-F**



**CEL - LI-10-DCW-F LED obstacle light**



Made in EU

Technical information in this document is subject to change without notice. Copyright © CEL 2006

10 - 60 V<sub>DC</sub> ICAO Low-intensity, Type A Obstacle Light

**ELECTRICAL INSTALLATION INSTRUCTIONS**

**CEL - LI-10-DCW-F have two cable glands for easy chaining without external junction boxes**

CEL - LI-10-DCW-F is an obstacle light utilising LED technology. The cabling and installation principles are similar to those of conventional obstacle lights.

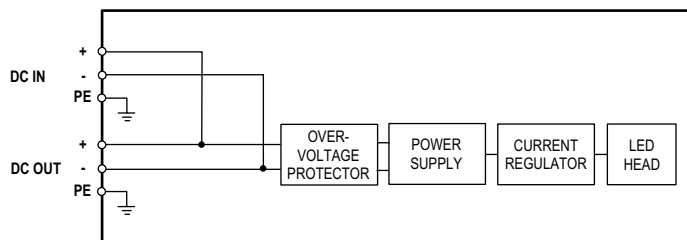
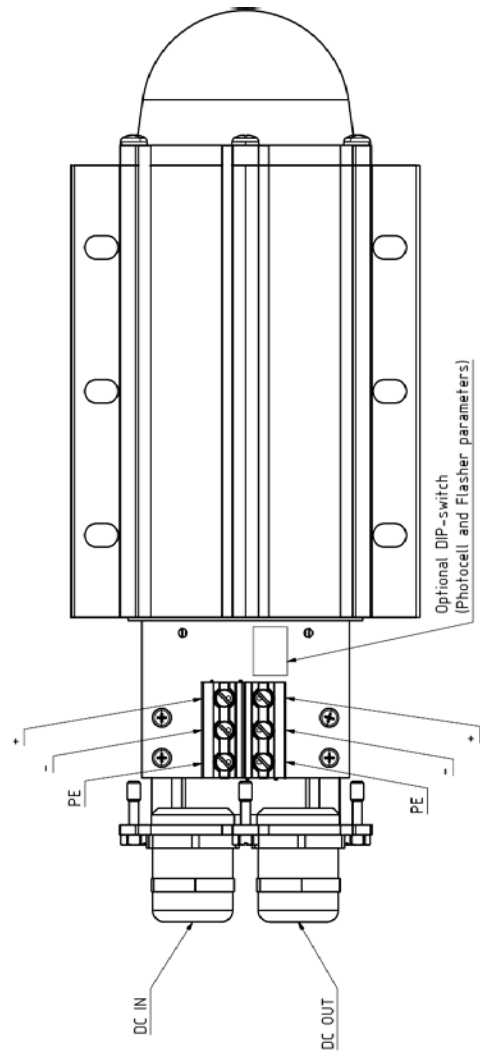
Connection can be protected with a 6A or 10A fuse or with a circuit breaker (C curve).

**Installation specifications**

- Cable gland: M25
- Cable diameter: 11 to 17 mm
- Wire diameter: max. 6 mm<sup>2</sup>
- Recommended cable: 3x1.5 mm<sup>2</sup> or 3x2.5 mm<sup>2</sup>

**Options**

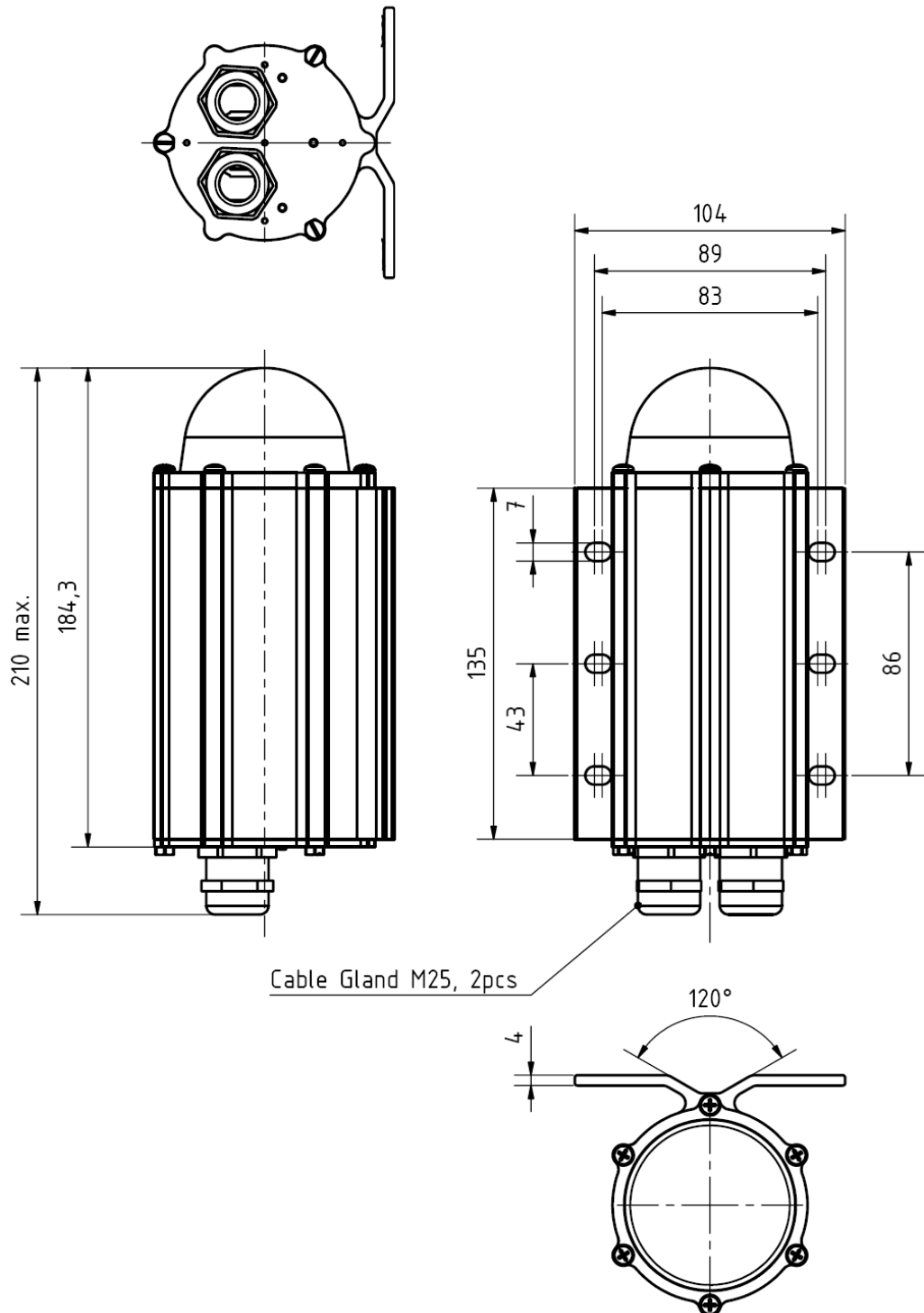
- **CGS-20:** Smaller cable glands  
Set includes: 2 pcs M20 gable glands with M25-M20 adapters for 7-13 mm cables



CEL - LI-10-DCW-F block diagram

Technical information in this document is subject to change without notice. Copyright © CEL 2006

Mechanical dimensions



Technical information in this document is subject to change without notice. Copyright © CEL 2006

10 - 60 V<sub>DC</sub> ICAO Low-intensity, Type A Obstacle Light

There are several types of mounting sets available as an option:

**CEL - MS-HV80**

Mounting set for 33-80 mm vertical or horizontal pipe

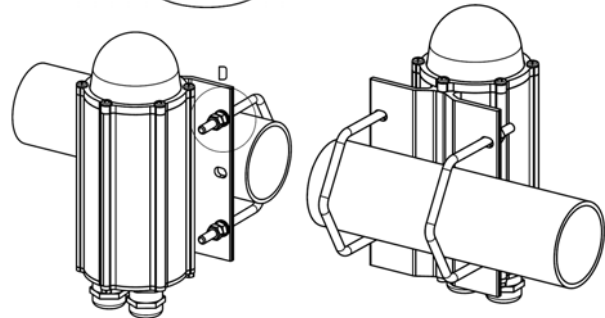
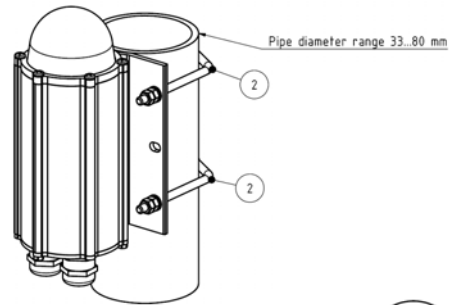
Mounting set includes:

- 2 pcs M6 U-bolt
- 8 pcs M6 hex nut
- 4 pcs 6/12 mm washer

All parts AISI 316 acid proof steel

More detailed mechanical data: CEL - MS-HV80 datasheet

Order Code: **CEL - MS-HV80**



**CEL - MS-EV60**

Mounting set with extension plate for 30-60 mm vertical pipe installation

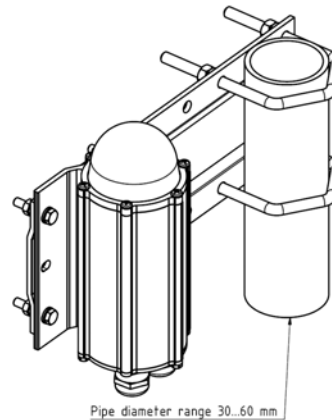
Mounting set includes:

- 2 pcs M8 U-bolt, 8 pcs M8 hex nut
- 4 pcs M6x30 bolt, 8 pcs M6 hex nut, 4 pcs 6/12 washer
- 1 pcs extension plate

Extension plate marine grade anodised aluminium, other parts AISI 316 acid proof steel

More detailed mechanical data: CEL - MS-EV60 datasheet

Order Code: **CEL - MS-EV60**



**CEL - MS-EV100:**

Mounting set with extension plate for 60-100 mm vertical pipe installation

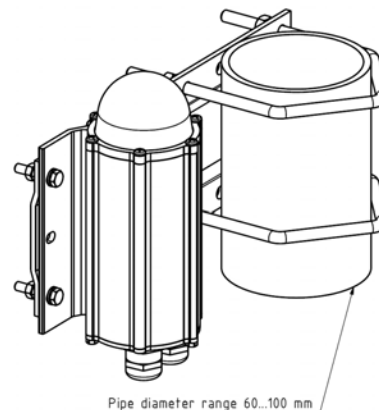
Mounting set includes:

- 2 pcs M8 U-bolt, 8 pcs M8 hex nut
- 4 pcs M6x30 bolt, 8 pcs M6 hex nut, 4 pcs 6/12 washer
- 1 pcs extension plate

Extension plate marine grade anodised aluminium, other parts AISI 316 acid proof steel

More detailed mechanical data: CEL - MS-EV100 datasheet

Order Code: **CEL - MS-EV100**



Technical information in this document is subject to change without notice. Copyright © CEL 2006

**10 - 60 V<sub>DC</sub> ICAO Low-intensity, Type A Obstacle Light****CEL - MS-EV150:**

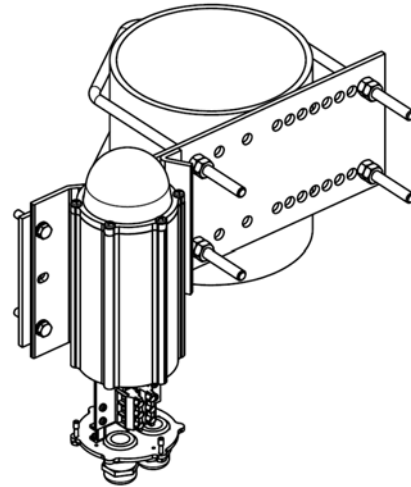
Mounting set with extension plate  
for 100-150 mm vertical pipe installation

Mounting set includes:

- 2 pcs M8 U-bolt, 8 pcs M8 hex nut
- 4 pcs M6x30 bolt, 8 pcs M6 hex nut, 4 pcs 6/12 washer
- 1 pcs extension plate

Extension plate hot dipped galvanised steel,  
other parts AISI 316 acid proof steel  
More detailed mechanical data: CEL - MS-EV150 datasheet

Order Code: **CEL - MS-EV150**

**CEL - MS-DV60:**

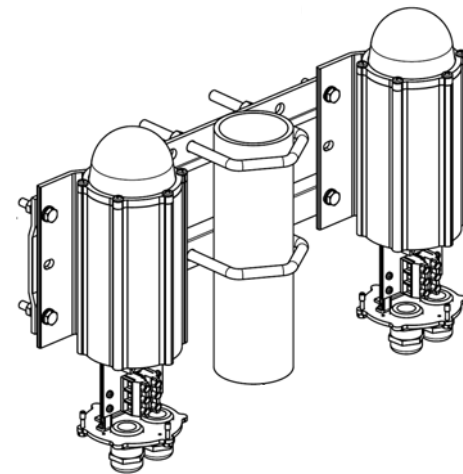
Double mounting set with extension plate  
for 30-60 mm vertical pipe installation

Mounting set includes:

- 2 pcs M8 U-bolt, 8 pcs M8 hex nut
- 8 pcs M6x30 bolt, 16 pcs M6 hex nut, 8 pcs 6/12 washer
- 1 pcs extension plate

Extension marine grade anodised aluminium,  
other parts AISI 316 acid proof steel  
More detailed mechanical data: CEL - MS-DV60 datasheet

Order Code: **CEL - MS-DV60**

**CEL - MS-DV100:**

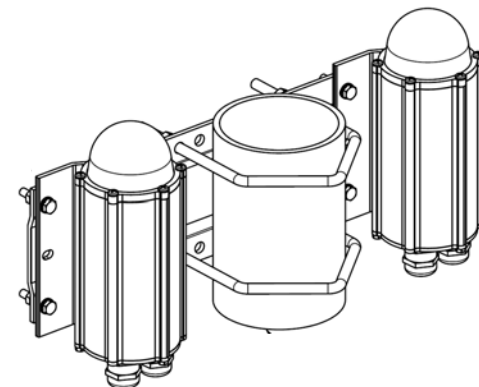
Double mounting set with extension plate  
for 60-100 mm vertical pipe installation

Mounting set includes:

- 2 pcs M8 U-bolt, 8 pcs M8 hex nut
- 8 pcs M6x30 bolt, 16 pcs M6 hex nut, 8 pcs 6/12 washer
- 1 pcs extension plate

Extension marine grade anodised aluminium,  
other parts AISI 316 acid proof steel  
More detailed mechanical data: CEL - MS-DV100 datasheet

Order Code: **CEL - MS-DV100**



Technical information in this document is subject to change without notice. Copyright © CEL 2006

**10 - 60 V<sub>DC</sub> ICAO Low-intensity, Type A Obstacle Light****CEL - MS-RW**

Mounting set for horizontal plate or wall installation

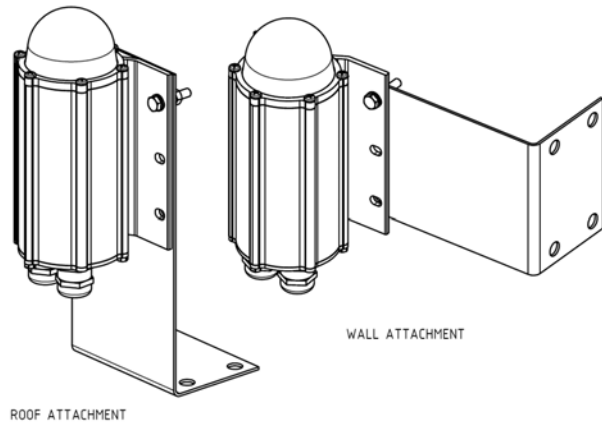
Mounting set includes:

- 4 pcs M6x30 bolt, 8 pcs M6 hex nut, 4 pcs 6/12 washer
- 1 pcs L-shape 2 mm plate

All parts AISI 316 acid proof steel

More detailed mechanical data: MS-RW datasheet

Order Code: **CEL - MS-RW**

**CEL - MS-LVU**

Mounting set for L and V -shape profiles

Mounting set includes

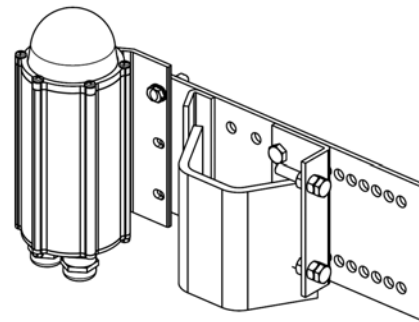
- 1 set accessories for light unit fitting to plate
- 1 pcs extension plate with adjusting plate and accessories

Extension plate hot dip galvanised steel, other parts

AISI 316 acid proof steel

More detailed mechanical data: CEL-MS-LVU datasheet

Order Code: **CEL-MS-LVU**

**CEL - MS-N1B**

Mounting set for 1" NPT at bottom

More detailed mechanical dimensions: CEL - MS-N1B dataheet

Order Code: **CEL - MS-N1B**

