

230 VAC / 48 V, 5 A DC Power Supply for Obstacle lights**Key features**

- Extremely reliable - long lifetime
- Optimised for LED-obstacle lights
- 230 V AC input voltage / 48 V DC output voltage
- Degree of protection IP67
- Die cast aluminium enclosure
- Easy to install
- No RF-radiations

Electrical characteristics

- 230 V AC 50 Hz input voltage
- Power consumption max 220 VA
- Output voltage 48 V DC
- Maximum output current 5 A

Mechanical characteristics

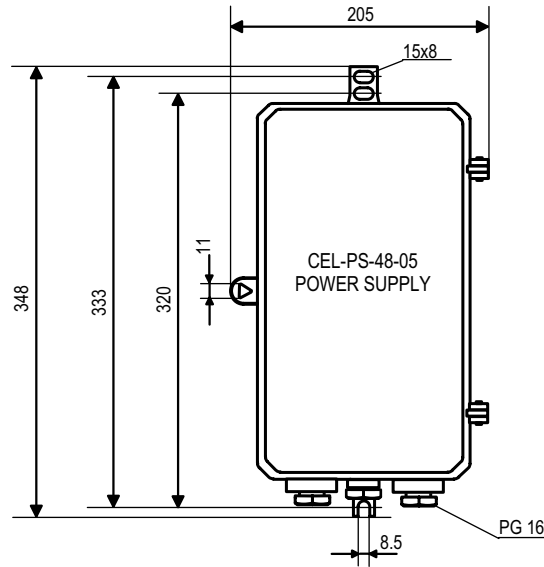
- Yellow powder painted die cast aluminium body
- Degree of protection IP67
- Operating temperature range -55°C ... $+55^{\circ}\text{C}$
- Height 348 mm, width 205 mm, depth 115 mm
- Weight 4 kg

**CEL-PS-48-05 Power Supply****Order Code: CEL-PS-48-05****Warranty: 5 year**

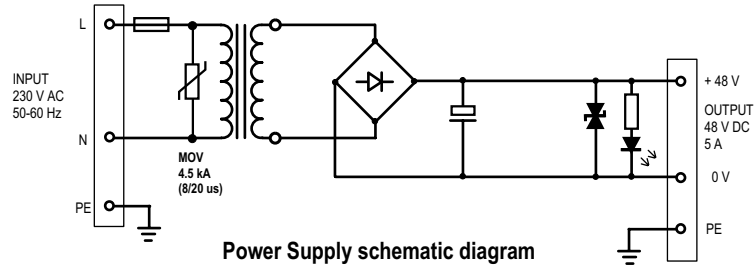
Made in EU

Technical information in this document is subject to change without notice. Copyright © CEL 2006

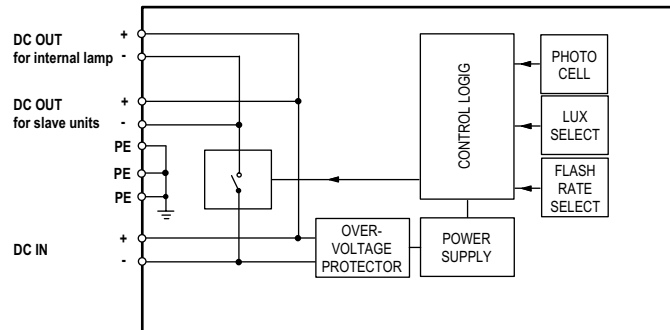
230 VAC / 48 V, 5 A DC Power Supply for Obstacle lights



Mechanical dimensions



Power Supply schematic diagram



PCFL block diagram

Technical information in this document is subject to change without notice. Copyright © CEL 2006