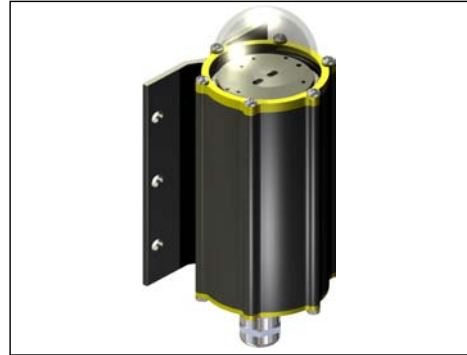


External photocell for use with CSW unit**KEY FEATURES**

- Extremely reliable
- Suitable for off-shore use
- Very low power consumption
- Wide 10 to 60 VDC input voltage
- Optimized for use with CSW controller units
- Suitable for solar cell applications
- Lightweight and small – low wind load factor
- Easy to install, several mounting sets available
- No RF-radiations
- Five (5) years warranty



DC operated photocell unit

DESCRIPTION

PCE-DCW-F is an external photocell unit designed to replace CSW's built-in photocell to add more functionality and give more flexibility to system installation. The information collected by PCE-DCW-F can be accessed via RS-485 data interface using application-specific protocol. Additionally, PCE-DCW-F can be used with any device or system supporting the interface. When using with CSW, external device is set up using the same dip switch settings as the CSW's own photocell, the only difference is to select between internal or external device (CSW dipswitch 18).

BENEFITS

- Long maintenance intervals
- Low energy cost
- Supply power voltage variations do not affect functionality
- Very low total lifetime costs
- Low wind load

ELECTRICAL CHARACTERISTICS

- Input voltage range 10 - 60 V_{DC}
- Power consumption < 1 W
- Over voltage protection

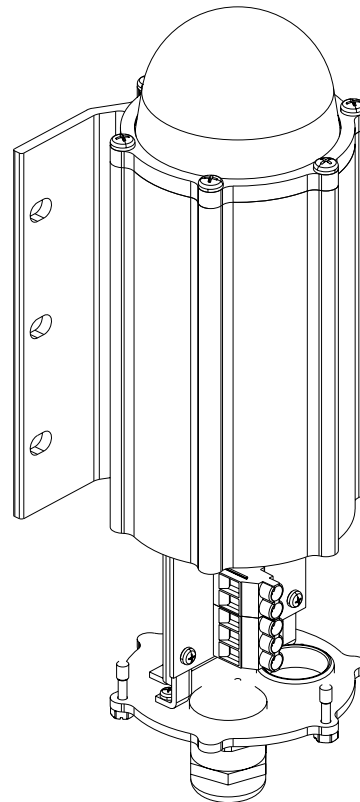
PHOTOCELL CHARACTERISTICS

- User selectable photocell sensitivity (bold = factory default)
OFF/100 lux / 200 lux / **400 lux**

Note: sensitivity selection is made in CSW (DIP-switches 9 and 10)

MECHANICAL CHARACTERISTICS

- Anodized marine grade aluminium body and end parts
- AISI 316 acid proof steel screws
- Colourless (clear) glass cover
- Terminal box for max. 2,5mm² wires
- Recommended cable: 5 x 0.75mm² or 5 x 1.5mm²
- CAT-5 Data Cable recommended to long distances (> 30m)
- Degree of protection IP 65
- Operating temperature range -55°C to +55°C
- Height 210 mm, diameter 104 mm, weight 1.1 kg
- Wind load with MS-EV60 mounting kit @ 200 km/h less than 40 N

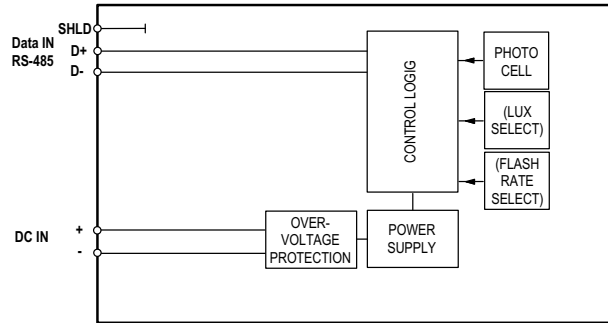
**ORDER CODE: CEL-PCE-DCW-F**

Made In EU

Technical information in this document is subject to change without notice. Copyright © CEL 2006

External photocell for use with CSW unit

BLOCK DIAGRAM



INTERFACE DESCRIPTION

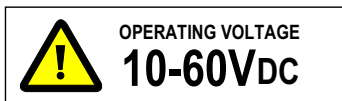
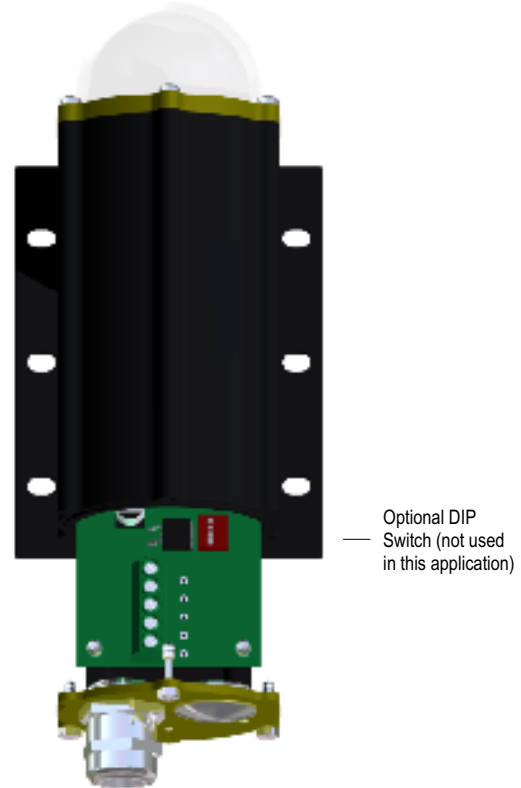
Installation specifications

- Cable gland: M25
- Cable diameter: 11 to 17 mm
- Recommended cable: 5 x 0.75 mm² or 5 x 1.5 mm²

Options

- **CGS-20:** Smaller cable glands
Set include one M20 cable gland with M25-M20 adapter for 7-13 mm cables

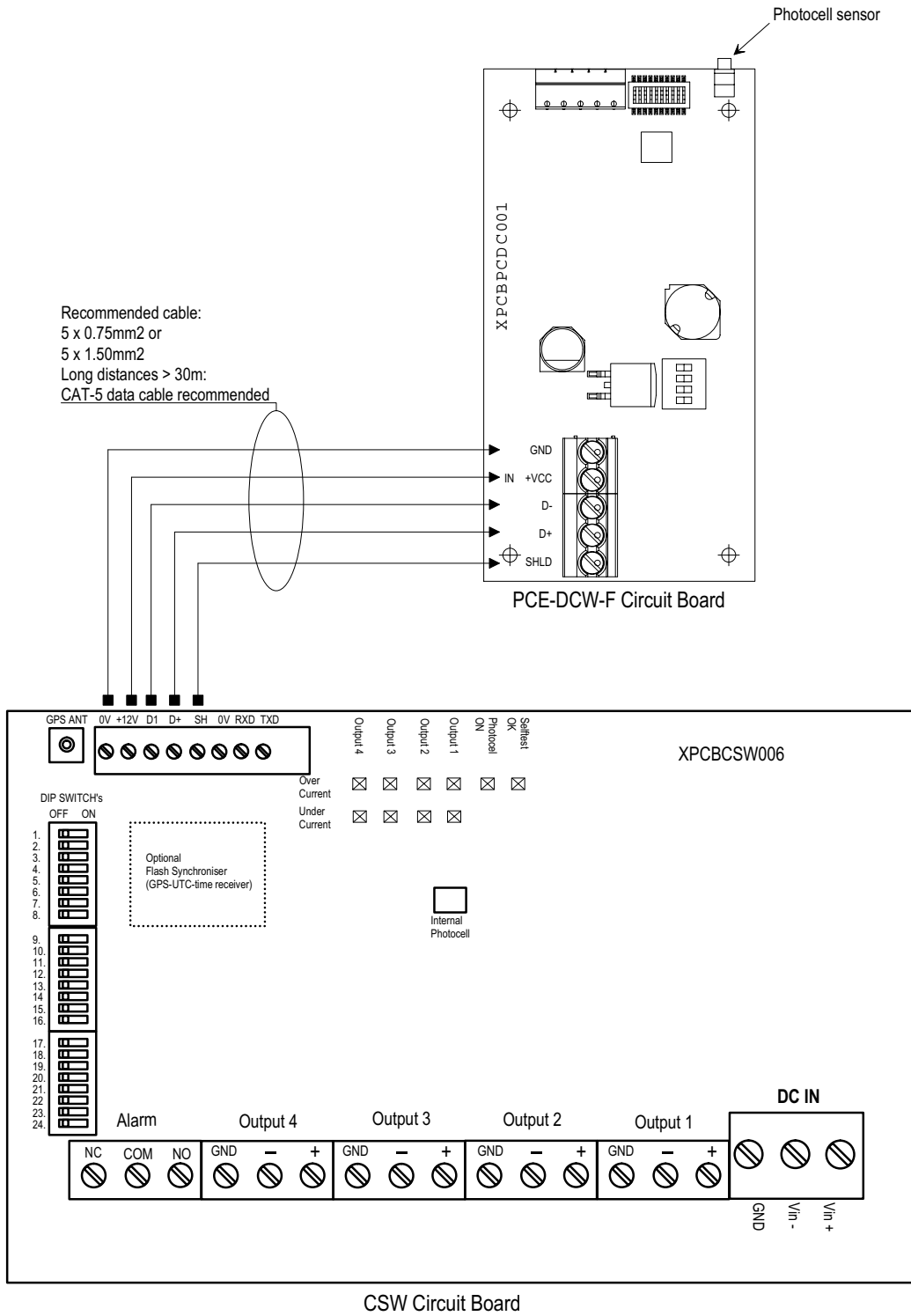
- 1. Ground (GND)
- 2. +10-60VDC (+VCC)
- 3. Data- (D-)
- 4. Data+ (D+)
- 5. Shield (SHLD)



Technical information in this document is subject to change without notice. Copyright © CEL 2006

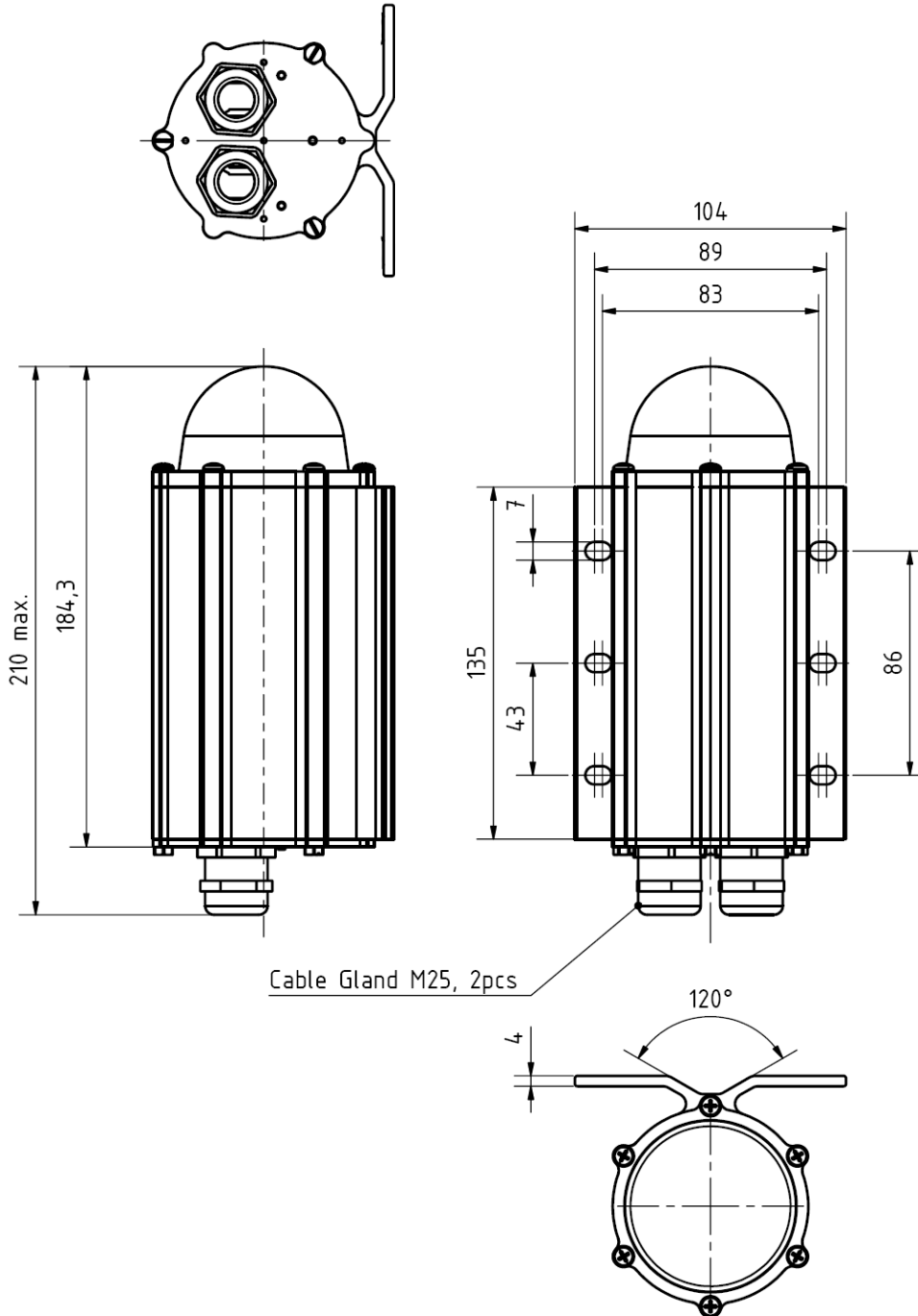
External photocell for use with CSW unit

CONNECTING CEL-PCE-DCW-F WITH CSW



Technical information in this document is subject to change without notice. Copyright © CEL 2006

MECHANICAL DIMENSIONS



Cable Gland M25, 2pcs

Technical information in this document is subject to change without notice. Copyright © CEL 2006

External photocell for use with CSW unit

MOUNTING KITS AVAILABLE (OPTIONAL)

CEL-MS-HV80

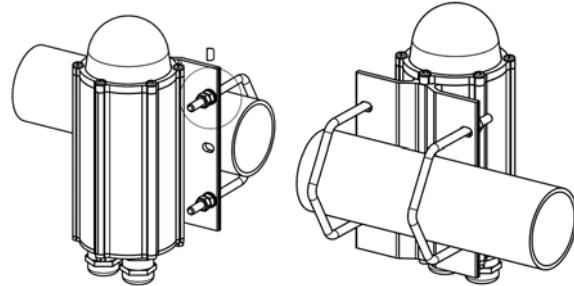
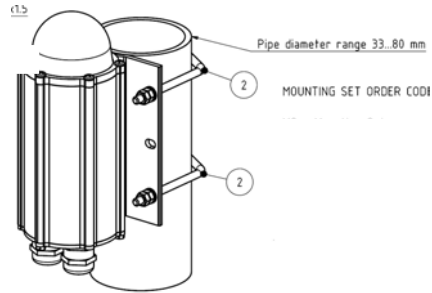
Mounting set for 33-80 mm vertical or horizontal pipe

Mounting set include:

- 2 pcs M6 U-bolt
- 8 pcs M6 hex nut
- 4 pcs 6/12 mm washer

All parts AISI 316 acid proof steel
More detailed mechanical data: CEL-MS-HV80 datasheet

Order Code: **CEL-MS-HV80**



CEL-MS-EV60

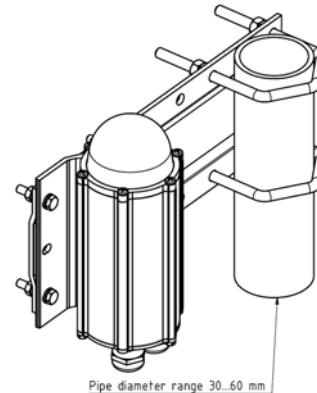
Mounting set with extension plate for 30-60 mm vertical pipe installation

Mounting set include:

- 2 pcs M8 U-bolt, 8 pcs M8 hex nut
- 4 pcs M6x30 bolt, 8 pcs M6 hex nut, 4 pcs 6/12 washer
- 1 pcs extension plate

Extension plate marine grade anodised aluminium,
other parts AISI 316 acid proof steel
More detailed mechanical data: CEL-MS-EV60 datasheet

Order Code: **CEL-MS-EV60**



CEL-MS-EV100:

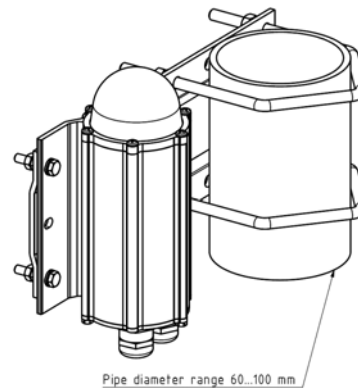
Mounting set with extension plate for 60-100 mm vertical pipe installation

Mounting set include:

- 2 pcs M8 U-bolt, 8 pcs M8 hex nut
- 4 pcs M6x30 bolt, 8 pcs M6 hex nut, 4 pcs 6/12 washer
- 1 pcs extension plate

Extension plate marine grade anodised aluminium,
other parts AISI 316 acid proof steel
More detailed mechanical data: CEL-MS-EV100 datasheet

Order Code: **CEL-MS-EV100**



Technical information in this document is subject to change without notice. Copyright © CEL 2006

External photocell for use with CSW unit**CEL-MS-RW**

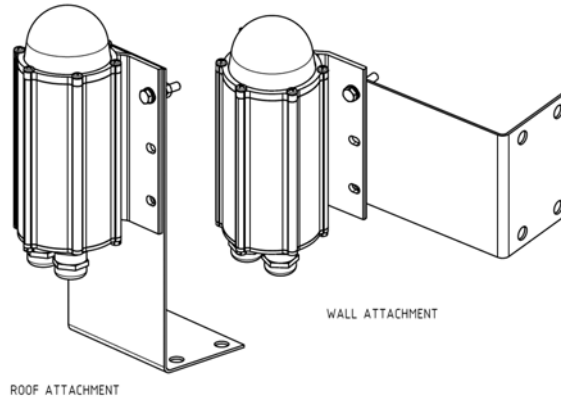
Mounting set for horizontal plate or wall installation

Mounting set include:

- 4 pcs M6x30 bolt, 8 pcs M6 hex nut, 4 pcs 6/12 washer
- 1 pcs L-shape 2 mm plate

All parts AISI 316 acid proof steel

More detailed mechanical data: CEL-MS-RW datasheet

Order Code: **CEL-MS-RW****CEL-MS-LVU**

Mounting set for L and V -shape profiles

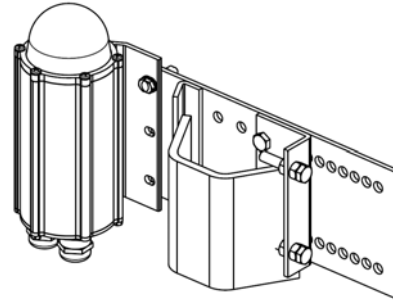
Mounting set include

- 1 set accessories for light unit fitting to plate
- 1 pcs extension plate with adjusting plate and accessories

Extension plate hot dip galvanised steel, other parts

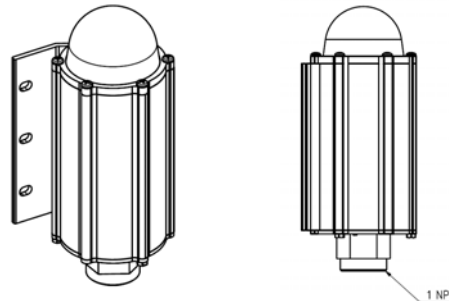
AISI 316 acid proof steel

More detailed mechanical data: CEL-MS-LVU datasheet

Order Code: **CEL-MS-LVU** (with galvanised extension plate)**CEL-MS-LVA** (with AISI 316 extension plate)**CEL-MS-N1B**

Mounting set for 1" NPT at bottom

More detailed mechanical dimensions: CEL-MS-N1B dataheet

Order Code: **CEL-MS-N1B**

Technical information in this document is subject to change without notice. Copyright © CEL 2006

External photocell for use with CSW unit

CEL-MS-EV150:

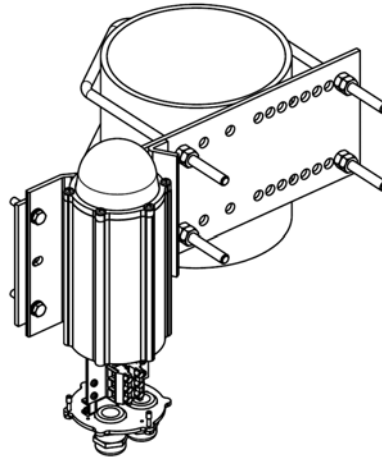
Mounting set with extension plate
for 100-150 mm vertical pipe installation

Mounting set include:

- 2 pcs M8 U-bolt, 8 pcs M8 hex nut
- 4 pcs M6x30 bolt, 8 pcs M6 hex nut, 4 pcs 6/12 washer
- 1 pcs extension plate

Extension plate hot dipped galvanised steel,
other parts AISI 316 acid proof steel
More detailed mechanical data: CEL-MS-EV150 datasheet

Order Code: **CEL-MS-EV150**



Technical information in this document is subject to change without notice. Copyright © CEL 2006