

Photocell & flasher 12, 24, 48VDC for DC LED-Obstacle Lights

Key features

- Extremely reliable
- Very low power consumption
- One model for 12, 24, 48VDC operating voltages
- Optimised for LED Obstacle lights
- Suitable for solar applications
- Overvoltage protection

Electrical characteristics

- Switching current max. 8A
- Current consumption < 3.5mA@12V
- Current consumption < 6mA@48V

- Operating voltage range 12 to 59VDC
- Terminals for 2.5 mm² wires

Photocell characteristics

- Turn on delay 1s
- Turn off delay 200s
- User selectable photocell sensitivity (bold = factory default)
OFF/200 lux / 400 lux / **800 lux**

Flash controller characteristics

- User selectable flashing rate (bold = factory default)
Steady burning / 20 fpm / 40 fpm / 60 fpm
- 250 ms flash duration

Other

- Overvoltage protection
- Operating temperature range -55..+55 C
- Height 18mm, width 25mm, length 75mm
- 5 year warranty

Order Codes for DC PCFL products

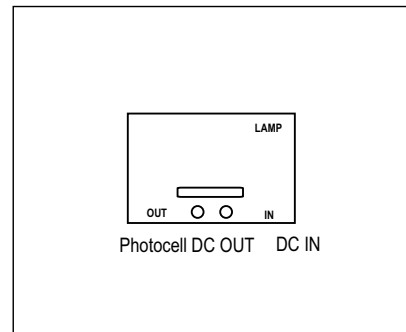
10 cd ICAO Type A Light with Photocell: **CEL-LI-10-DCW-PCFL**
 32 cd ICAO Type B / FAA L-810 Light with photocell: **CEL-LI-32-DCW-PCFL**
 Photocell circuit board only: **CEL-PCFL-DC1-B**
 Stand alone photocell: **CEL-PCFL-DC1-TB**

One photocell can drive several light units

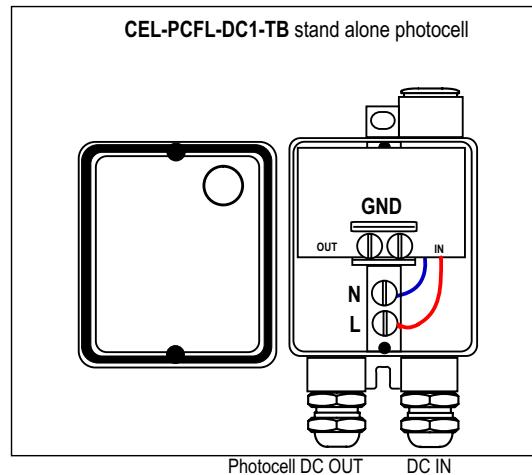
Made In EU



DC operated light unit with photocell & flasher



CEL-PCFL-DC1-B photocell circuit board



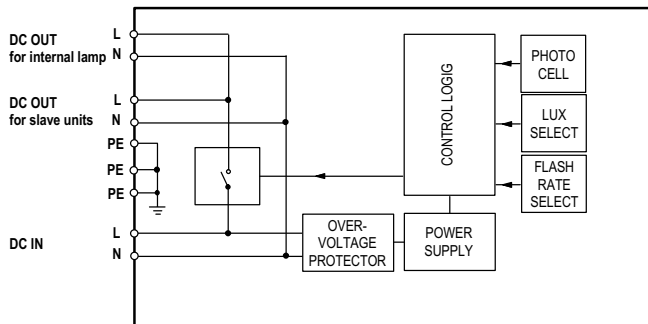
Technical information in this document is subject to change without notice. Copyright © CEL 2007

Photocell & flasher 12, 24, 48VDC for DC LED-Obstacle Lights

PCFL DIP switches

			OFF	ON			
DIP1	DIP2	PHOTOCELL	1.	<input type="checkbox"/>	DIP3	DIP4	FLASH RATE
OFF	OFF	OFF (light always ON)	2.	<input type="checkbox"/>	OFF	OFF	STEADY BURNING
ON	OFF	200 lux	3.	<input type="checkbox"/>	ON	OFF	20 fpm
OFF	ON	400 lux	4.	<input type="checkbox"/>	OFF	ON	40 fpm
ON	ON	800 lux			ON	ON	60 fpm

**Default DIP settings:
800 lux, steady burning**



PCFL block diagram



Technical information in this document is subject to change without notice. Copyright © CEL 2007