

**48 V<sub>DC</sub> operating voltage, 200cd LED Obstacle Light: CAA-CAP168 LowIntensity**
**Key features**

- Based on LED-technology
- 200 cd steady burning red light
- 200 cd flashing with CSW flash controller unit or Power supply CEL-PS-48-3A5-PCFL with flash controller
- Extremely reliable - long lifetime
- Very low power consumption
- 48 V DC nominal operating voltage
- Stabilised light output
- Lightweight and small – low wind load factor
- Easy to install
- No RF-radiations

**Benefits**

- Long maintenance intervals
- Low energy cost
- Supply power voltage variations do not affect to light output
- Very low total lifetime costs
- Low wind load
- Comes with five (5) years warranty

**Specifications met**

- CAP 168 Civil Aviation Authority - low intensity obstacle light

**Optical characteristics**

- Intensity better than 200 cd
- Colour aviation red
- Horizontal radiation pattern 360°
- Vertical radiation pattern 200 cd +5° to +8°, 50cd 0° to +15°
- LED supply current stabilised by constant current generator
- 10+ year continuous operating time

**Electrical characteristics**

- Nominal operating voltage 48 V DC
- Power consumption steady burn less than 58 W
- Power consumption flash 20 FPM , Flash duration 250 ms 5W
- Constant current <1,2 A @ 48 VDC
- Operating voltage range 46 to 58 VDC
- Three-stage over-voltage protection

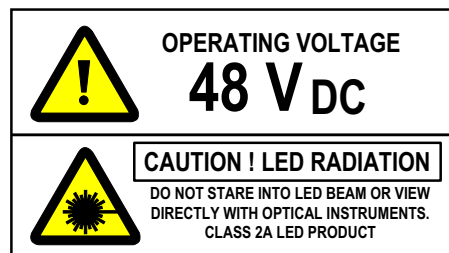
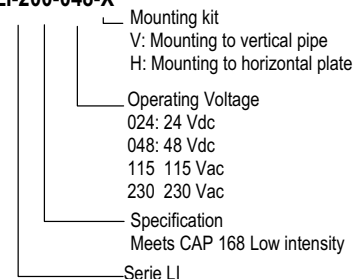
**Mechanical characteristics**

- Anodised aluminium body
- Glass cover
- Terminal box for 1,5 - 6 mm<sup>2</sup> wires
- Degree of protection IP65
- Operating temperature range -55°C to +55°C
- Height 330 mm, diameter 205 mm,
- Mounting set for 35 to 100 mm pipes and terminal box include
- Light unit weight 7,7 kg
- Mounting set weight 2 kg
- Wind load with mounting kit @ 200 km/h less than 500 N

**Made in EU**

**CEL-LI-200-048-X without mounting set**
**Options**

- CEL-CSW-48-x-F: Flash controller
- CEL-CSW-48-x-F-GPS: Flash controller with global flash sequency synchronisation by GPS-UTC time
- CEL-CSW-48-x-F-GSM controller GSM, SMS message
- Power supply CEL-PS-48-3A5 , 230Vac/24Vdc 3,5A
- Power supply CEL-PS-48-3A5-PCFL with flashing controller and photocell
- Battery back-up system
- Solar operated power supply system
- Mounting kits

**Order code: CEL-LI-200-048-X**


Technical information in this document is subject to change without notice. Copyright © CEL 2010

48 V<sub>DC</sub> operating voltage, 200cd LED Obstacle Light: CAA-CAP168 LowIntensity

CEL-LI-200-48 is an obstacle light utilising LED technology. The cabling and installation principles are similar to those of conventional obstacle lights, the only exception being the correct polarity required by DC feed.

Terminal box include screw terminals and overvoltage protectors.

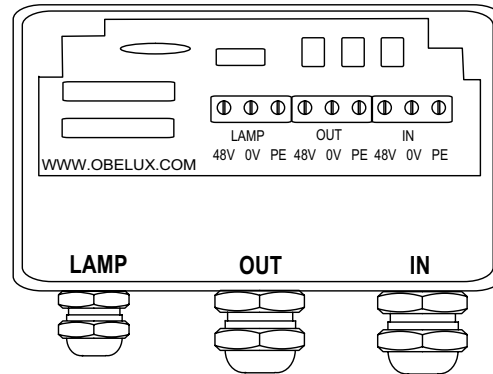
The polarity is:

- Blue -
- Black +
- Yellow-Green PE

All connection alternatives can be protected with a 6 A or 10 A fuse or with a circuit breaker (C curve).

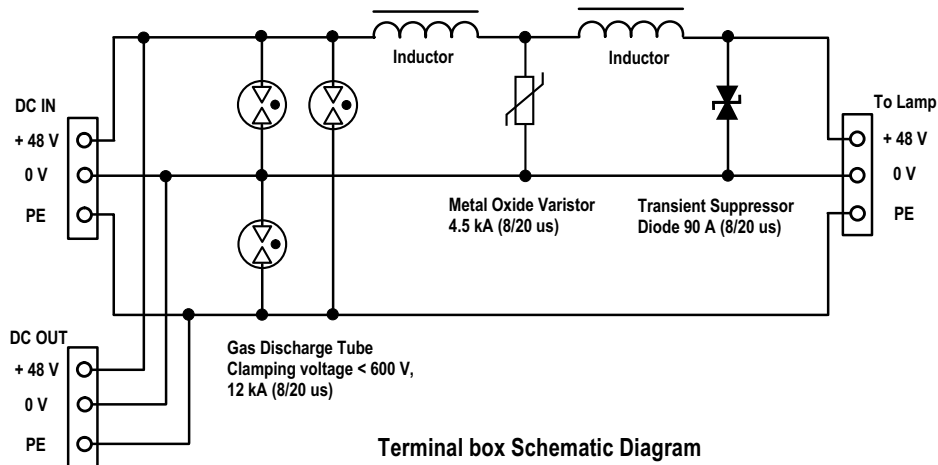
**Installation specifications**

- Cable gland: M25
- Cable diameter: 11...17 mm
- Wire diameter: max. 6 mm<sup>2</sup>
- Recommended cable: 2x1.5+1.5 or 2x2.5+2.5 mm<sup>2</sup>



Cable Gland M20 for 8-13 mm cable      Cable Gland M25 for 11-17 mm cable      Cable Gland M25 for 11-17 mm cable

**CEL-LI-200-48-X - terminal box**



**Terminal box Schematic Diagram**

**OPERATING VOLTAGE**

**48 V DC**

---

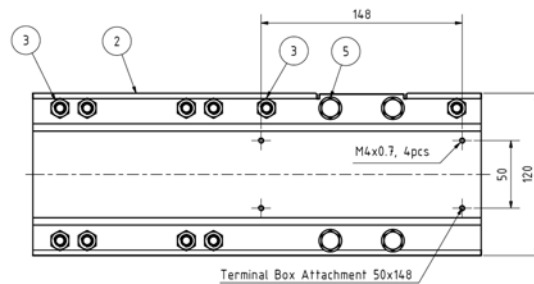
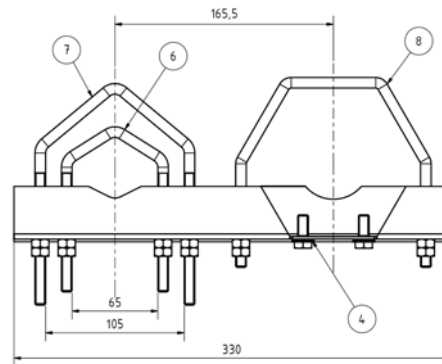
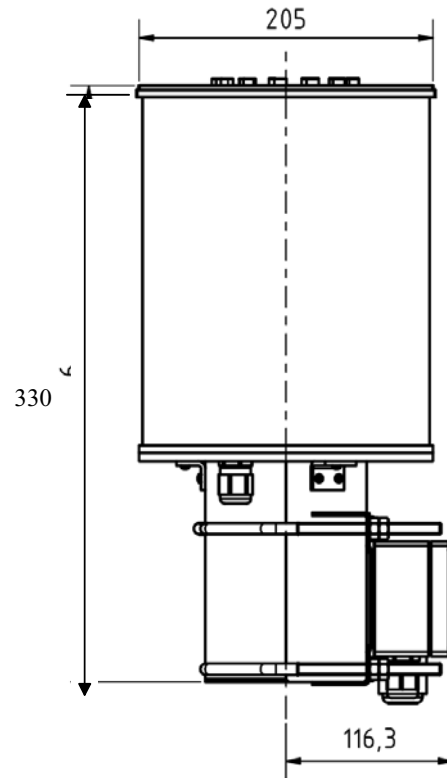
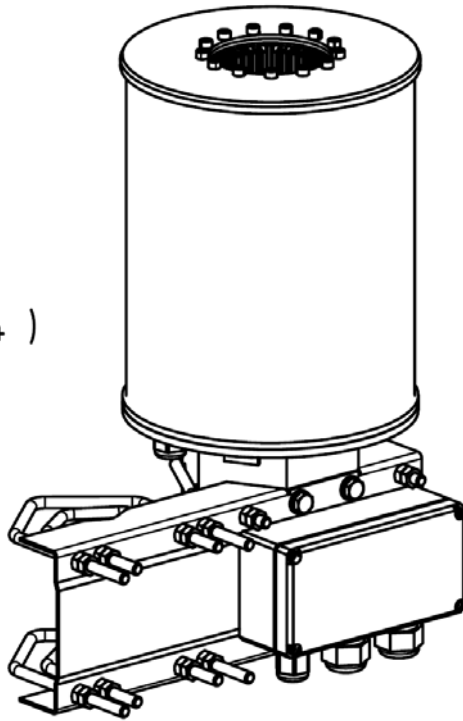
**CAUTION ! LED RADIATION**

DO NOT STARE INTO LED BEAM OR VIEW DIRECTLY WITH OPTICAL INSTRUMENTS.  
CLASS 2A LED PRODUCT

Technical information in this document is subject to change without notice. Copyright © CEL 2010

CEL-LI-200-48-V  
Light unit with -V mounting set. Mounting to Vertical pipe

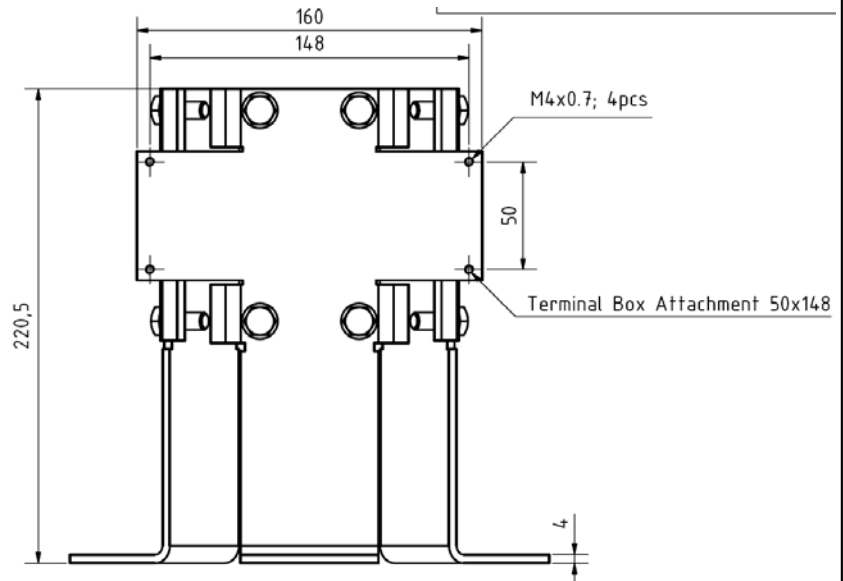
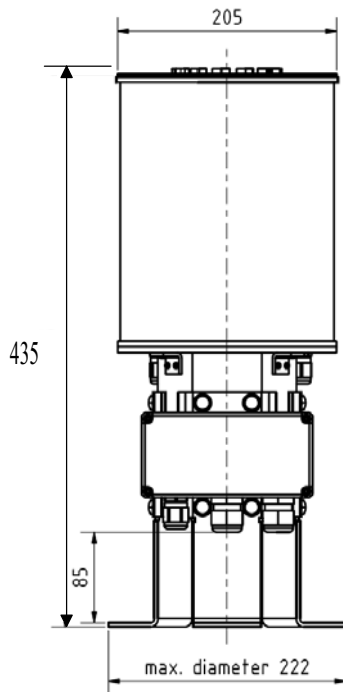
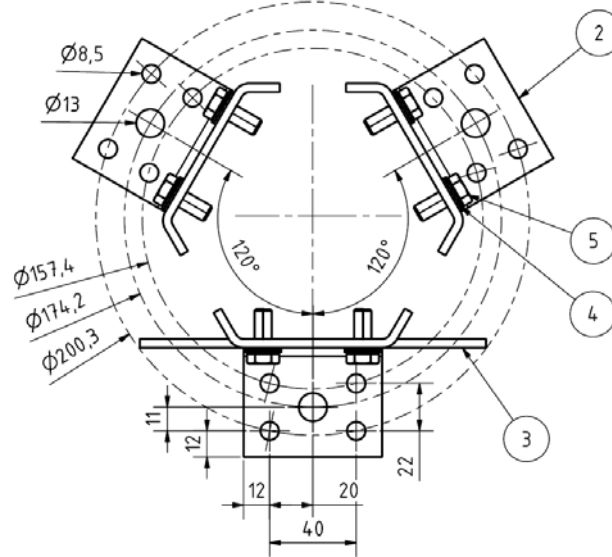
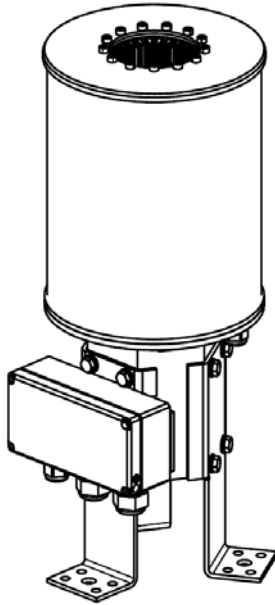
: 4 )



Technical information in this document is subject to change without notice. Copyright © CEL 2010

**CEL-LI-200-48-H**

Light unit with -H mounting set. Mounting to Horizontal plate by L-shape brackets



Technical information in this document is subject to change without notice. Copyright © CEL 2010