

**200 cd obstacle light, 230Vac operating voltage : CAA - CAP168 Low Intensity****Key features**

- Based on LED-technology
- 200cd steady burning red light
- Extremely reliable - long lifetime
- Low power consumption
- 230VAC nominal operating voltage
- Stabilised light output
- Lightweight and small – low wind load factor
- Easy to install
- No RF-radiations

**Benefits**

- Long maintenance intervals
- Low energy cost
- Supply power voltage variations do not affect to light output
- Very low total lifetime costs
- Low wind load
- Comes with five (5) years warranty

**Specification met**

- CAP 168, Civil Aviation Authority, London, February 2001, Flight obstacle (low intensity)

**Optical characteristics**

- Intensity better than 200cd
- Colour aviation red
- Horizontal radiation pattern 360°
- Vertical radiation pattern 200cd +5° to +8°, 50cd 0° to +15°
- LED supply current stabilised by constant current generator
- 10 year continuous operating time

**Electrical characteristics**

- Nominal operating voltage 230VAC
- Power consumption less than 42W
- Operating voltage range 210 to 260VAC
- Three-stage over-voltage protection

**Mechanical characteristics**

- Anodised aluminium body
- Glass cover
- Terminal box for 1,5 - 6 mm<sup>2</sup> wires
- Degree of protection IP66
- Operating temperature range -55°C to +55°C
- Height 350 mm, diameter 200 mm,
- Mounting set for 35 to 100 mm pipes and terminal box include
- Light unit weight 5kg
- Mounting set weight 4kg
- Wind load with mounting kit @ 200 km/h less than 500N

Made in EU

**CEL-LI-200-230-X**  
without mounting set**PSU not to scale****Options**

- 24VDC and 48VDC operated models
- CEL-CSW-48-x-F: Flash controller
- CEL-CSW-48-x-F-GPS: Flash controller with global flash synchronisation by GPS-UTC time
- 90-230 VAC 1N / 48VDC power supply systems
- 300-400 VAC 3N / 48VDC power supply systems
- Battery back-up system
- Solar operated power supply system (SPOL)
- Mounting sets

**Order code: CEL-LI-200-230-CST**

Technical information in this document is subject to change without notice. Copyright © CEL 2007

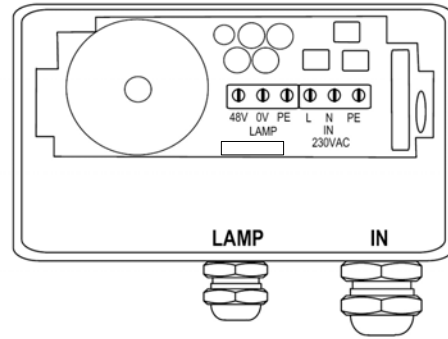
CEL-LI-200-230-CST is an obstacle light utilising LED technology. The cabling and installation principles are similar to those of conventional obstacle lights.

Terminal box include screw terminals and overvoltage protectors.

All connection alternatives can be protected with a 6A or 10A fuse or with a circuit breaker (C curve).

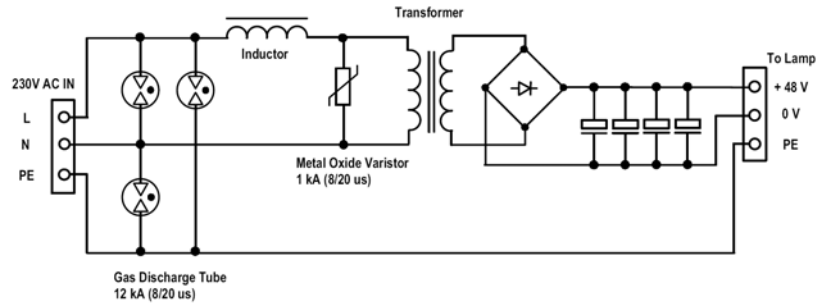
**Installation specifications**

- Cable gland: M25
- Cable diameter: 11...17 mm
- Wire diameter: max. 6 mm<sup>2</sup>
- Recommended cable: 3x1.5 or 3x2.5 mm<sup>2</sup>



LAMP IN  
Cable Gland M20 for 8-13 mm cable      Cable Gland M25 for 11-17 mm cable

**CEL-LI-200-24-CST terminal box**



Terminal box Schematic Diagram

OPERATING VOLTAGE

**24 V DC**

**CAUTION ! LED RADIATION**

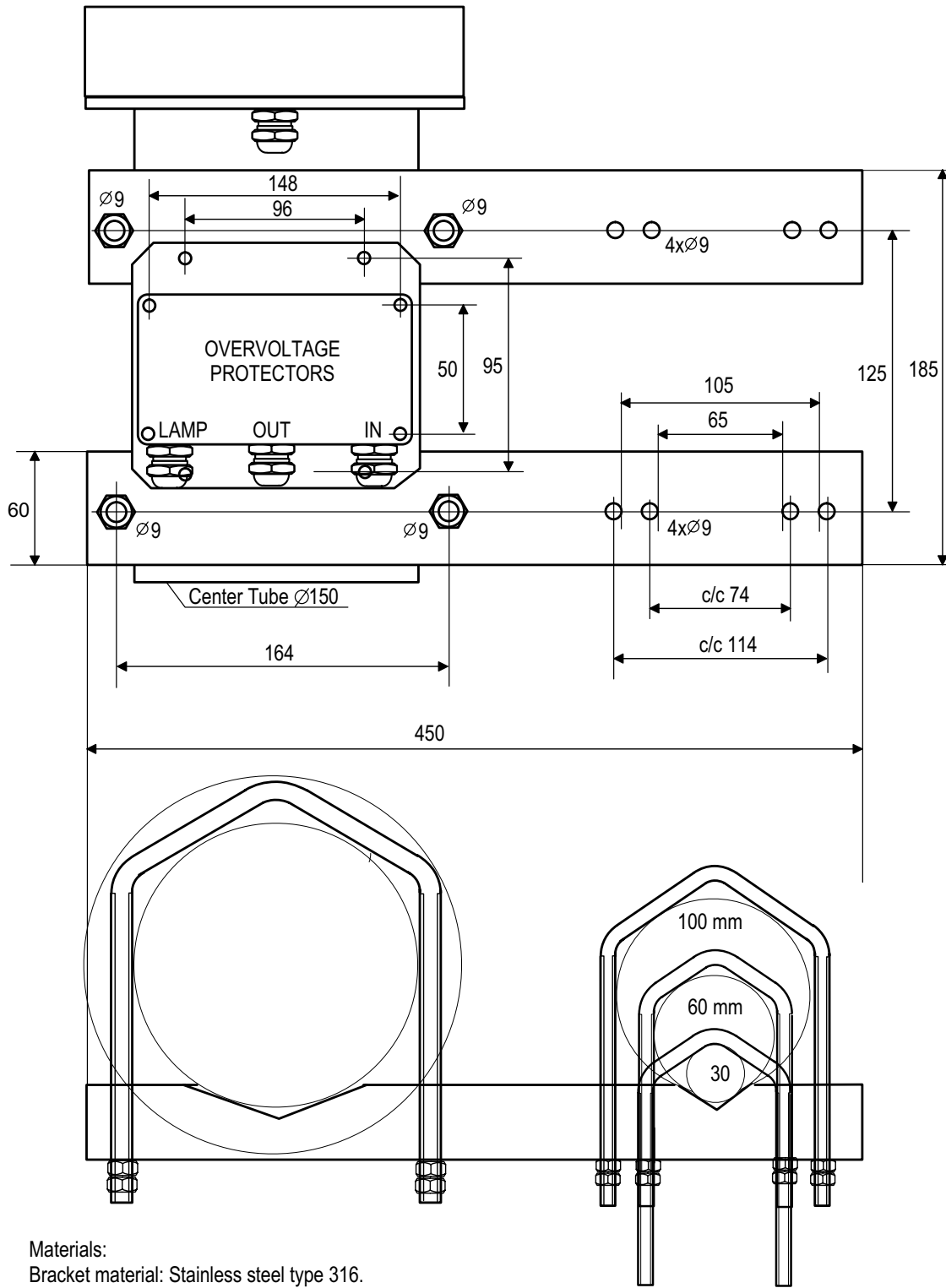
DO NOT STARE INTO LED BEAM OR VIEW DIRECTLY WITH OPTICAL INSTRUMENTS.

CLASS 2A LED PRODUCT

Technical information in this document is subject to change without notice. Copyright © CEL 2007

**Contarnex Europe Limited**  
252 Martin Way, Morden,  
Surrey, SM4 4AW  
England

tel. +44 20 8540 1034  
fax +44 20 8543 3058  
internet: [www.contarnex.com](http://www.contarnex.com)  
e-mail: [info@contarnex.com](mailto:info@contarnex.com)



**Materials:**

Bracket material: Stainless steel type 316.

Mounting arms: Stainless steel type AISI 316, U-bolts: AISI 316, Hex nuts: AISI 316

Technical information in this document is subject to change without notice. Copyright © CEL 2007