

**Medium-intensity, ICAO Type A / FAA L-865, L-866 obstacle light,
48 V_{DC} operating voltage**
Key features

- Based on LED-technology
- White light colour
- 20,000cd flashing light with CSW flash controller unit
- Extremely reliable - long lifetime
- Very low power consumption
- 48Vdc nominal operating voltage
- Stabilised light output
- Lightweight and small – low wind load factor
- Easy to install
- No RF-radiations

Benefits

- Long maintenance intervals
- Low energy cost
- Supply power voltage variations do not affect to light output
- Very low total lifetime costs
- Low wind load
- Comes with five (5) years warranty

Specifications met

- ICAO International Standards and Recommended Practices:
Aerodromes - Annex 14 Volume 1, 4rd Edition, July 2004,
Chapter 6: Medium-intensity, Type A Fixed Obstacle Light
- FAA Advisory Circular 150/5345-43F 09/12/06: L-865 and L-866
light unit

Optical characteristics

- Intensity better than 20,000cd effective
- Colour aviation white
- Horizontal radiation pattern 360°
- Vertical radiation pattern 3°
- LED supply current stabilised by constant current generator
- 10 year continuous operating time

Electrical characteristics

- LEDs in several separate groups
- Nominal operating voltage 48 VDC
- Average power consumption less than 40W @ 20fpm
- Average current <0.9A @ 24 VDC @ 20fpm
- Operating voltage range 44 to 56 VDC
- Three-stage over-voltage protection

Mechanical characteristics

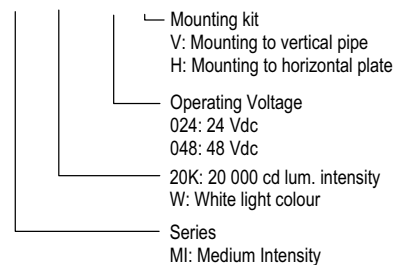
- Anodised aluminium body
- Glass cover
- Terminal box for 1,5 - 6 mm² wires
- Degree of protection IP67
- Operating temperature range -55°C to +55°C
- Height 700 mm, diameter 200 mm,
- Mounting set for 35 to 100 mm pipes and terminal box included
- Light unit weight 15 kg
- Mounting set weight 4 kg
- Wind load with mounting kit @ 200 km/h less than 1500 N

Made in EU

PRELIMINARY

CEL-MI-20KW-048 without mounting set
Options

- CEL-CSW-48-x-F: Flash controller
- CEL-CSW-48-x-F-GPS: Flash controller with global flash
sequence synchronisation by GPS-UTC time
- 90-230 V AC 1N / 24 V DC power supply systems
- 300-400 V AC 3N / 24 V DC power supply systems
- Battery back-up system
- Solar operated power supply system (SPOL)
- Mounting kits

Order code:
CEL-MI-20KW-048-X

OPERATING VOLTAGE
48 V DC

CAUTION ! LED RADIATION

 DO NOT STARE INTO LED BEAM OR VIEW
 DIRECTLY WITH OPTICAL INSTRUMENTS.
 CLASS 2A LED PRODUCT

Technical information in this document is subject to change without notice. Copyright © CEL 2008

**Medium-intensity, ICAO Type A / FAA L-865, L-866 obstacle light,
48 V_{DC} operating voltage**

CEL-MI-20KW-48-X is an obstacle light utilising LED technology. The cabling and installation principles are similar to those of conventional obstacle lights, the only exception being the correct polarity required by DC feed.

Terminal box include screw terminals and overvoltage protectors.

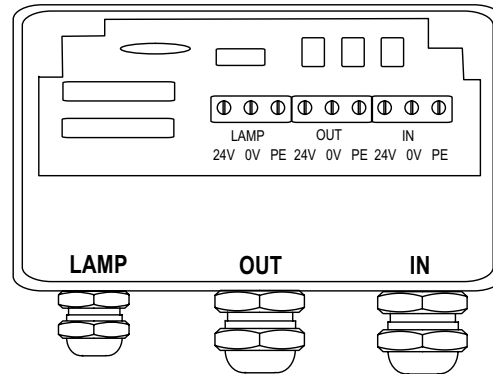
The polarity is:

- Blue -
- Black +
- Yellow-Green PE

All connection alternatives can be protected with a 6A or 10A fuse or with a circuit breaker (C curve).

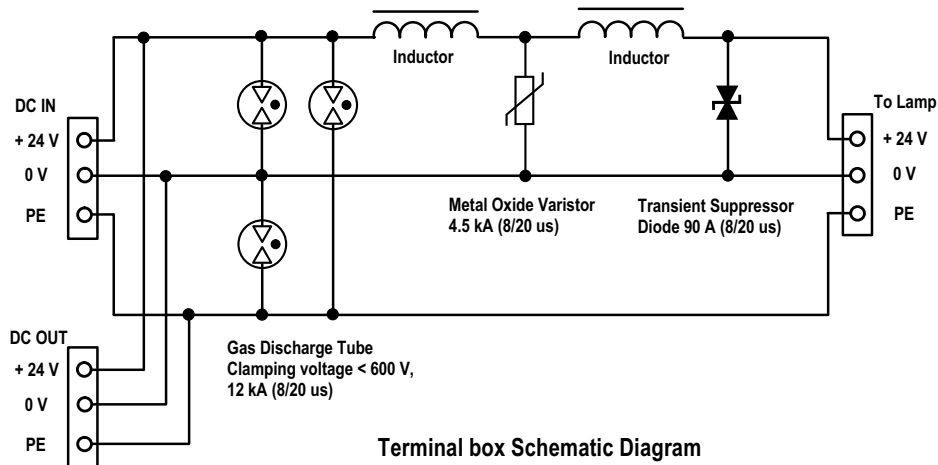
Installation specifications

- Cable gland: M25
- Cable diameter: 11...17 mm
- Wire diameter: max. 6 mm²
- Recommended cable: 2x1.5+1.5 or 2x2.5+2.5 mm²



Cable Gland M20 for 8-13 mm cable Cable Gland M25 for 11-17 mm cable Cable Gland M25 for 11-17 mm cable

CEL-MI-IF-024-X terminal box



Terminal box Schematic Diagram

OPERATING VOLTAGE

24 V DC

CAUTION ! LED RADIATION

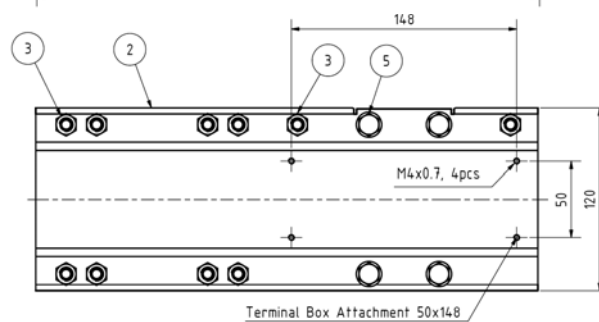
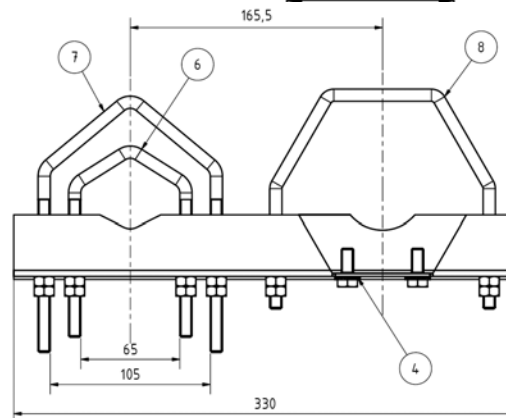
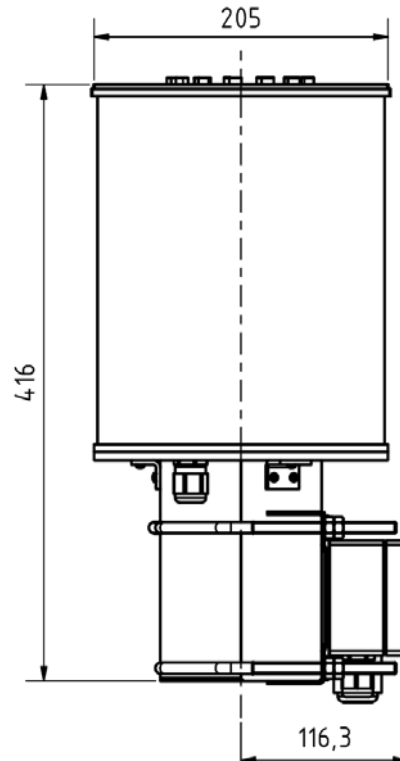
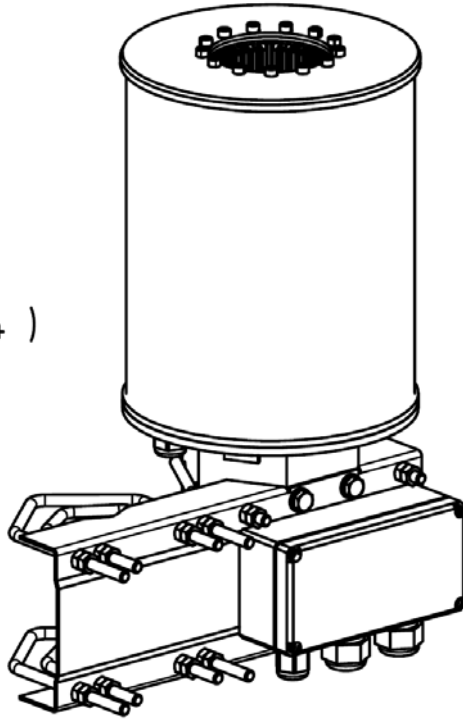
DO NOT STARE INTO LED BEAM OR VIEW DIRECTLY WITH OPTICAL INSTRUMENTS.
CLASS 2A LED PRODUCT

Technical information in this document is subject to change without notice. Copyright © CEL 2008

CEL-MI-20KW-48-X

Light unit with -V mounting set. Mounting to Vertical pipe

: 4)

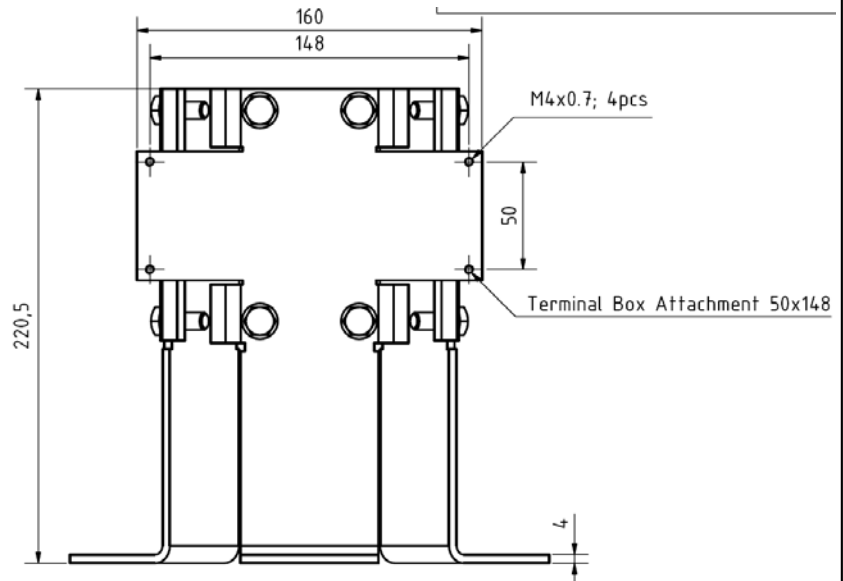
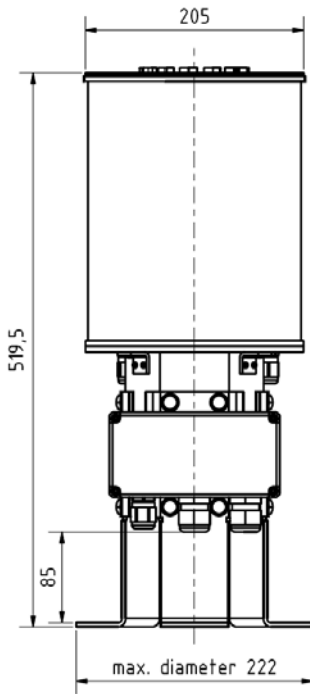
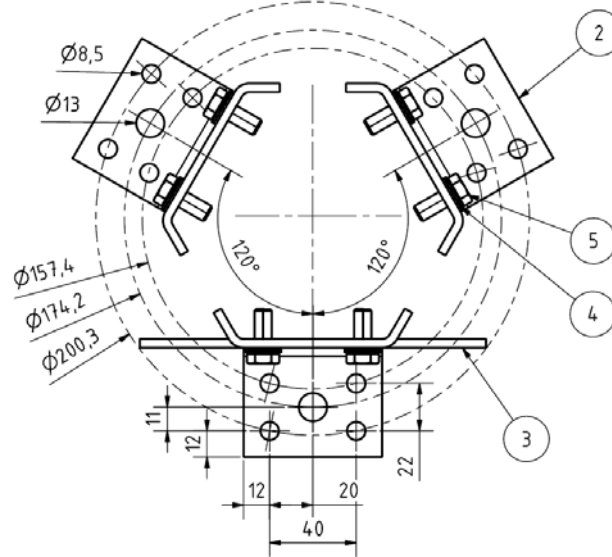
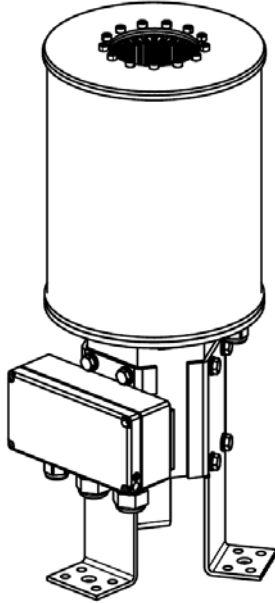


Technical information in this document is subject to change without notice. Copyright © CEL 2008

Medium-intensity, ICAO Type A / FAA L-865, L-866 obstacle light,
48 V_{DC} operating voltage

CEL-MI-20KW-48-X

Light unit with -H mounting set. Mounting to Horizontal plate by L-shape brackets



Technical information in this document is subject to change without notice. Copyright © CEL 2008