

Medium-intensity, 2000cd white obstacle light, 24 V_{DC} operating voltage
Key features

- Based on LED-technology
- 2000cd White light colour
- 2000cd flashing with CSW flash controller unit
- Extremely reliable - long lifetime
- Very low power consumption
- 24 V DC nominal operating voltage
- Stabilised light output
- Lightweight and small – low wind load factor
- Easy to install
- No RF-radiations

Benefits

- Long maintenance intervals
- Low energy cost
- Supply power voltage variations do not affect to light output
- Very low total lifetime costs
- Low wind load
- Comes with five (5) years warranty

Specifications met

- FAA Advisory Circular 150/5345-43E 10/19/95: L-864 and L-885 light unit

Optical characteristics

- Intensity better than 2000cd
- Colour 6500 K White
- Horizontal radiation pattern 360°
- Vertical radiation pattern 3°
- LED supply current stabilised by constant current generator
- 10 year continuous operating time

Electrical characteristics

- LEDs in several separate groups
- Nominal operating voltage 24Vdc
- Power consumption steady burn less than 90W
- Constant current <3.8A @ 24 V DC
- Operating voltage range 22 to 28 V DC
- Three-stage over-voltage protection

Mechanical characteristics

- Anodised aluminium body
- Glass cover
- Terminal box for 1,5 - 6 mm² wires
- Degree of protection IP67
- Operating temperature range -55°C to +55°C
- Height 300mm, diameter 200mm,
- Mounting set for 35 to 100 mm pipes and terminal box include
- Light unit weight 6kg
- Mounting set weight 4kg
- Wind load with mounting kit @ 200 km/h less than 500 N

Made in EU

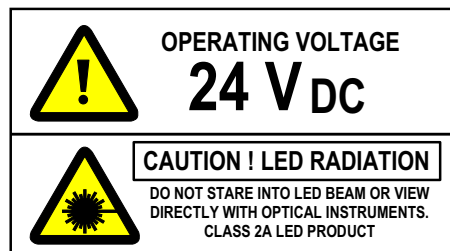
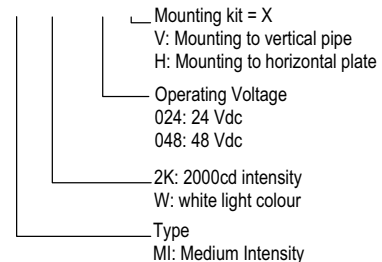


CEL-MI-2KW-024 without mounting set

Options

- CEL-CSW-24-x-F: Flash controller
- CEL-CSW-24-x-F-GPS: Flash controller with global flash sequency synchronisation by GPS-UTC time
- CEL-CSW-24-x-F-GSM - controller GSM, SMT message
- 90-230VAC 1N/24Vdc power supply systems
- 300-400VAC 3N/24Vdc power supply systems
- Battery back-up system
- Solar operated power supply systems (solar)
- Mounting kits

Order code: CEL-MI-2KW-024-X



Technical information in this document is subject to change without notice. Copyright © CEL 2008

Medium-intensity, 2000cd white obstacle light, 24 V_{DC} operating voltage

CEL-MI-2KW-24 is an obstacle light utilising LED technology. The cabling and installation principles are similar to those of conventional obstacle lights, the only exception being the correct polarity required by DC feed.

Terminal box include screw terminals and overvoltage protectors.

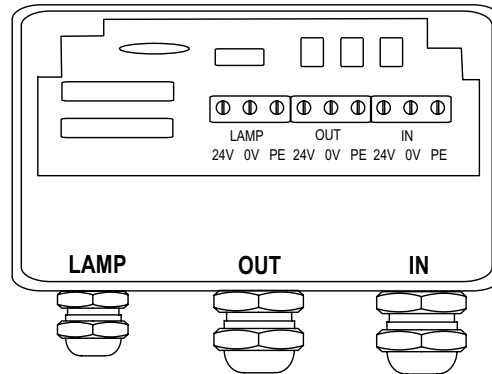
The polarity is:

- Blue -
- Black +
- Yellow-Green PE

All connection alternatives can be protected with a 6 A or 10 A fuse or with a circuit breaker (C curve).

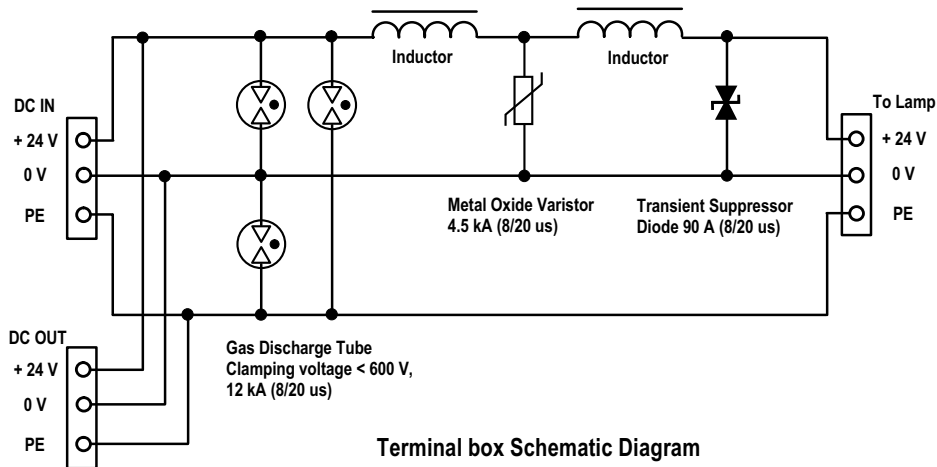
Installation specifications

- Cable gland: M25
- Cable diameter: 11...17 mm
- Wire diameter: max. 6 mm²
- Recommended cable: 2x1.5+1.5 or 2x2.5+2.5 mm²



Cable Gland M20 for 8-13 mm cable Cable Gland M25 for 11-17 mm cable Cable Gland M25 for 11-17 mm cable

CEL-MI-2KW-024-X terminal box



Terminal box Schematic Diagram

OPERATING VOLTAGE

24 V DC

CAUTION ! LED RADIATION

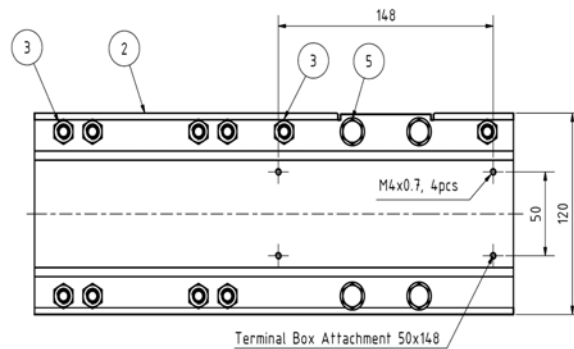
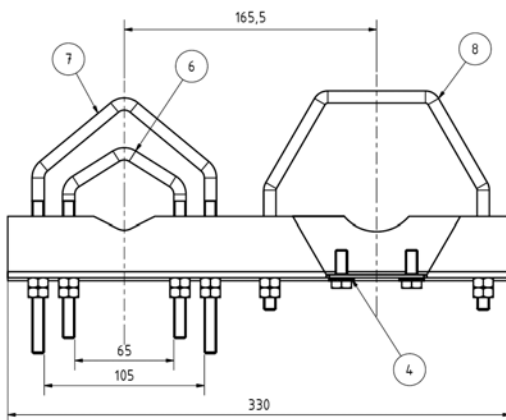
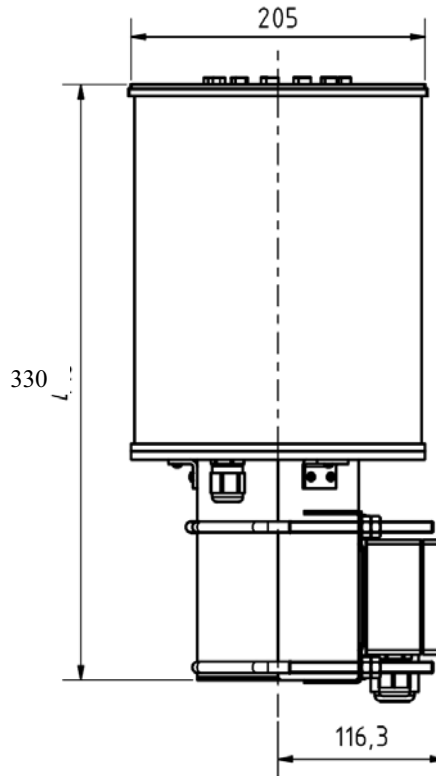
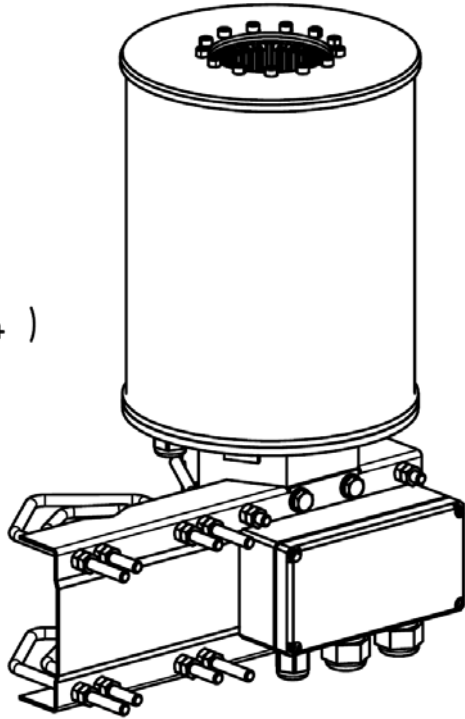
DO NOT STARE INTO LED BEAM OR VIEW DIRECTLY WITH OPTICAL INSTRUMENTS. CLASS 2A LED PRODUCT

Technical information in this document is subject to change without notice. Copyright © CEL 2008

CEL-MI-2KW-24-V

Light unit with -V mounting set. Mounting to Vertical pipe

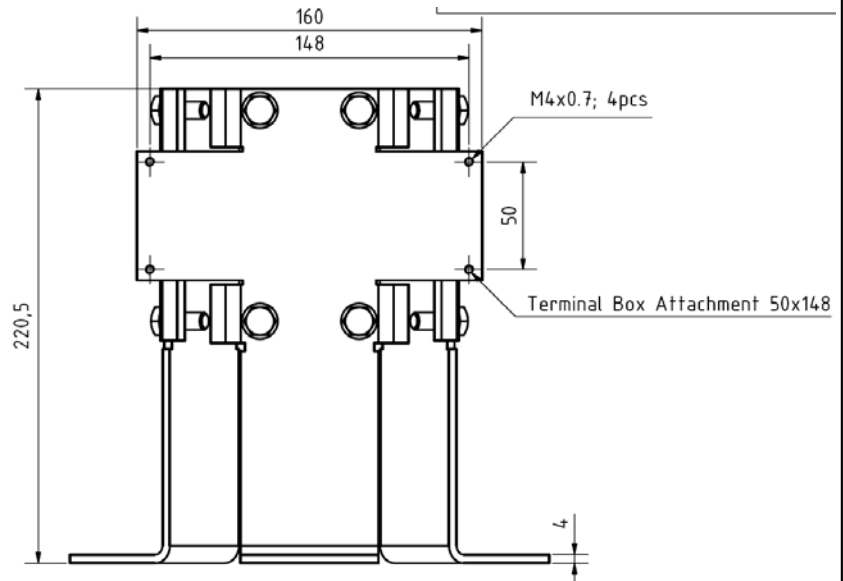
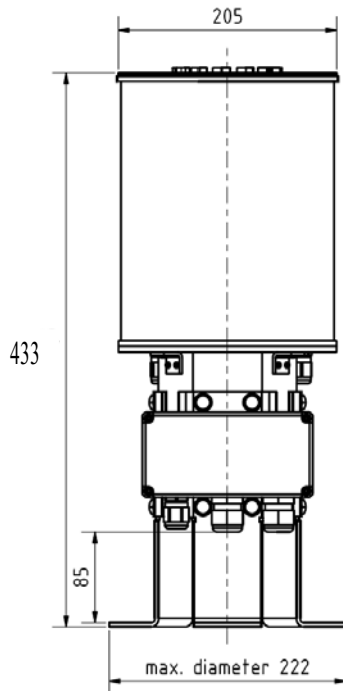
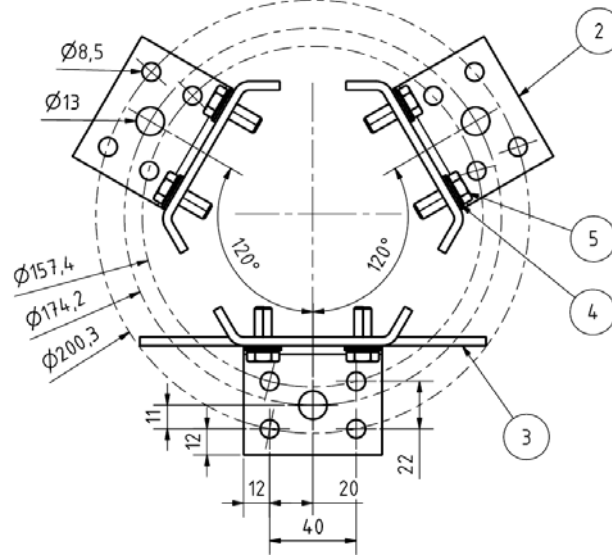
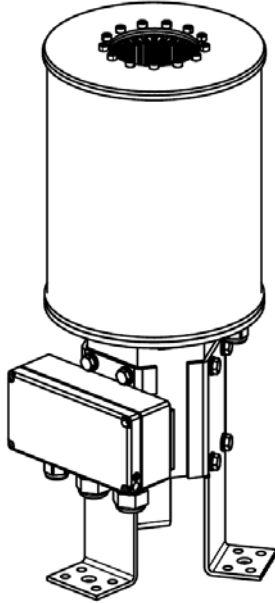
: 4)



Technical information in this document is subject to change without notice. Copyright © CEL 2008

CEL-MI-2KW-24-H

Light unit with -H mounting set. Mounting to Horizontal plate by L-shape brackets



Technical information in this document is subject to change without notice. Copyright © CEL 2008