

**Medium-intensity, ICAO Type C, B / FAA L-864, L-885 obstacle light,
24V_{DC} operating voltage**
Key features

- Based on LED-technology
- 2000cd steady burning red light
- 2000cd flashing with CSW flash controller unit
- Extremely reliable - long lifetime
- Very low power consumption
- 24VDC nominal operating voltage
- Stabilised light output
- Lightweight and small – low wind load factor
- Easy to install
- No RF-radiations

Benefits

- Long maintenance intervals
- Low energy cost
- Supply voltage variations do not affect light output
- Very low total lifetime costs
- Low wind load
- Comes with five (5) year warranty

Specifications met

- ICAO International Standards and Recommended Practices:
Aerodromes - Annex 14 Volume 1, 3rd Edition, July 1999,
Chapter 6: Medium-intensity, Type C Fixed Obstacle Light
- FAA Advisory Circular 150/5345-43E 10/19/95: L-864 and L-885
light unit

Optical characteristics

- Intensity better than 2000cd
- Colour aviation red
- Horizontal radiation pattern 360°
- Vertical radiation pattern 3°
- LED supply current stabilised by constant current generator
- 10 year continuous operating time

Electrical characteristics

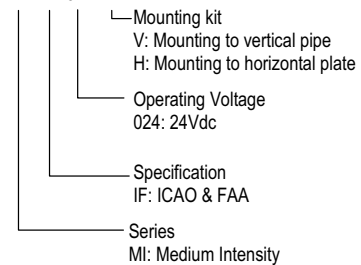
- LEDs in separate groups
- Nominal operating voltage 24VDC
- Power consumption less than 58W
- Power consumption flash 20FPM, flash duration 250ms - 5W
- Constant current <2.4A @ 24VDC
- Operating voltage range 21 to 28VDC
- Three-stage over-voltage protection

Mechanical characteristics

- Anodised aluminium body
- Glass cover
- Terminal box for 1,5 - 6 mm² wires
- Degree of protection IP67
- Operating temperature range -55°C to +55°C
- Height 330 mm, diameter 205 mm,
- Mounting set for 35 to 100 mm pipes and terminal box included
- Light unit weight 7.7kg, Mounting set weight 2kg
- Wind load with mounting kit @ 200 km/h less than 500 N


CEL-MI-IF-024 without mounting set
Options

- CSW-24-x-F: Flash controller
- CSW-24-x-F-GPS: Flash controller with global flash
synchronisation by GPS-UTC time
- CSW-24-x-F-GSM controller GSM,SMS message
- Power Supply CEL-PS-24-3A5, 230VAC/24VDC 3.5A
- Power Supply CLE-PS-24-3A5-PCFL inc. photocell-flasher
- Battery back-up system
- Solar operated power supply system (SPOL)
- Mounting kits

Order code: CEL - MI-IF-024-X


Made in the EU

Technical information in this document is subject to change without notice. Copyright © CEL 2006

**Medium-intensity, ICAO Type C, B / FAA L-864, L-885 obstacle light,
24V_{DC} operating voltage**

CEL-MI-IF-24 is an obstacle light utilising LED technology. The cabling and installation principles are similar to those of conventional obstacle lights, the only exception being the correct polarity required by DC feed.

Terminal box includes screw terminals and overvoltage protectors.

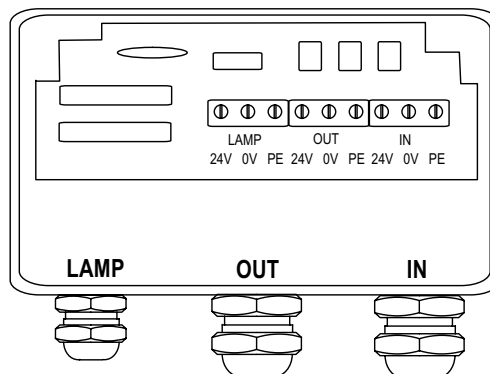
The polarity is:

Blue -
Black +
Yellow-Green PE

All connection alternatives can be protected with a 6A or 10A fuse or with a circuit breaker (C curve).

Installation specifications

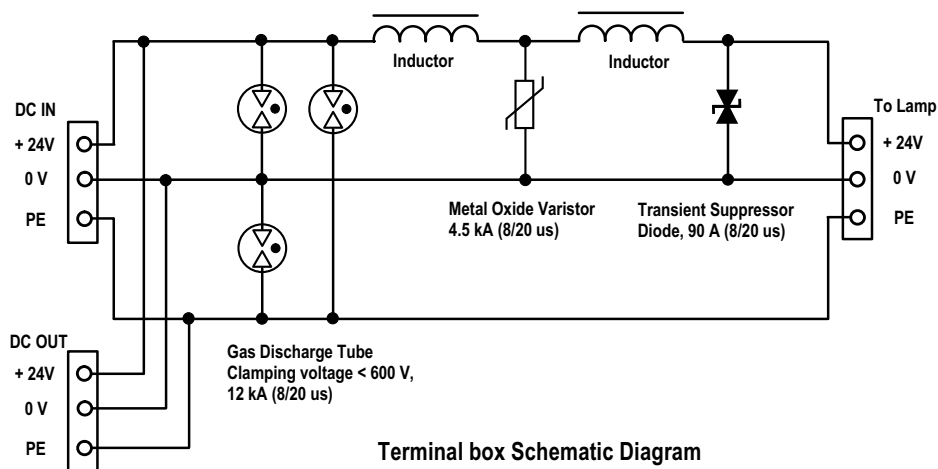
- Cable gland: M25
- Cable diameter: 11...17 mm
- Wire diameter: max. 6 mm²
- Recommended cable: 2x1.5+1.5 or 2x2.5+2.5 mm²



Cable Gland
M20 for 8-13 mm
cable

Cable Gland
M25 for 11-17 mm
cable

Cable Gland
M25 for 11-17 mm
cable

CEL-MI-IF-24-X terminal box

Terminal box Schematic Diagram

OPERATING VOLTAGE

24V_{DC}

CAUTION ! LED RADIATION

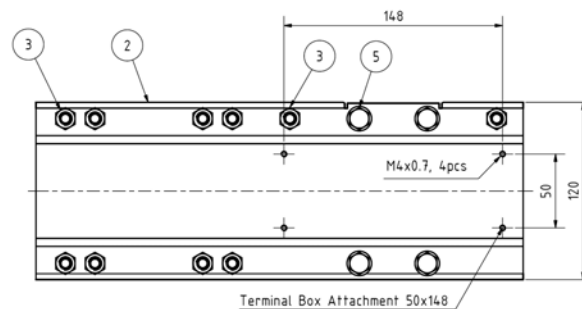
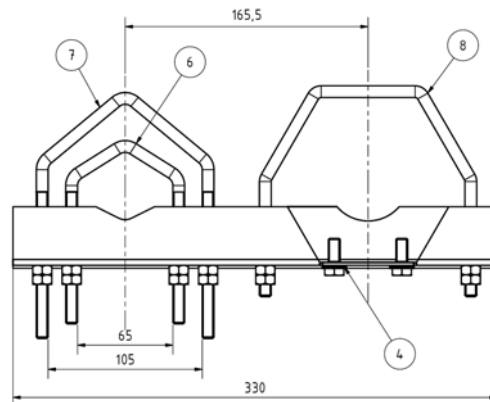
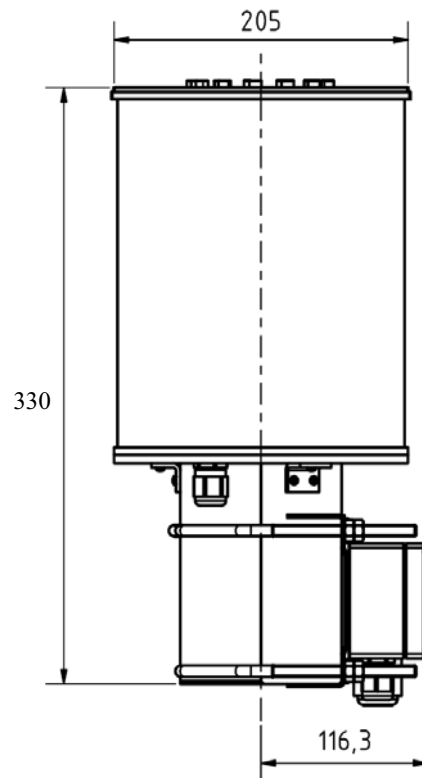
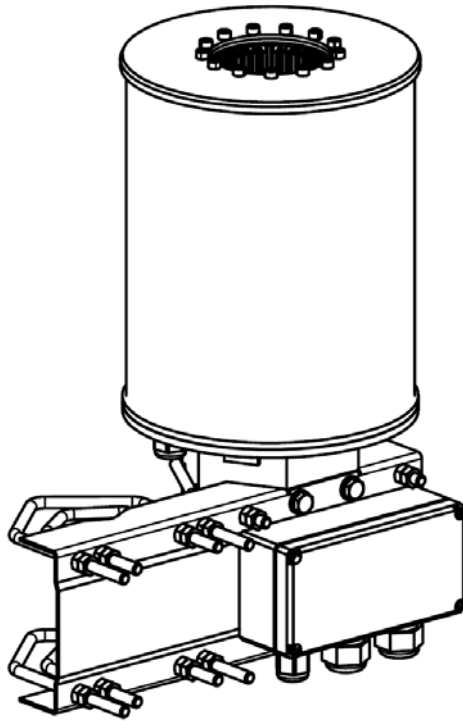
DO NOT STARE INTO LED BEAM OR VIEW
DIRECTLY WITH OPTICAL INSTRUMENTS.
CLASS 2A LED PRODUCT

Technical information in this document is subject to change without notice. Copyright © CEL 2006

Contarnex Europe Limited
252 Martin Way, Morden,
Surrey SM4 4AW.
England

tel. +44 20 8540 1034
fax +44 20 8543 3058
internet: www.contarnex.com
e-mail: info@contarnex.com

CEL - MI-IF-xxx-V
Light unit with -V mounting set. Mounting to Vertical pipe

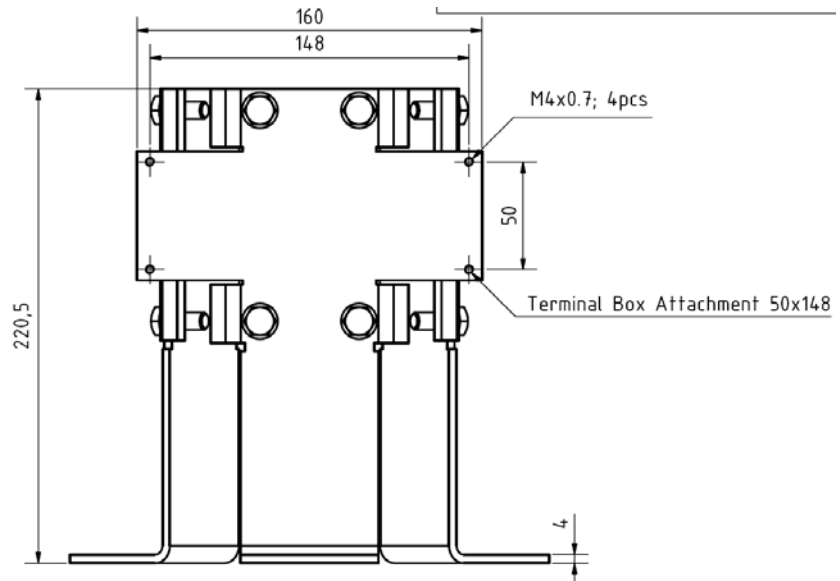
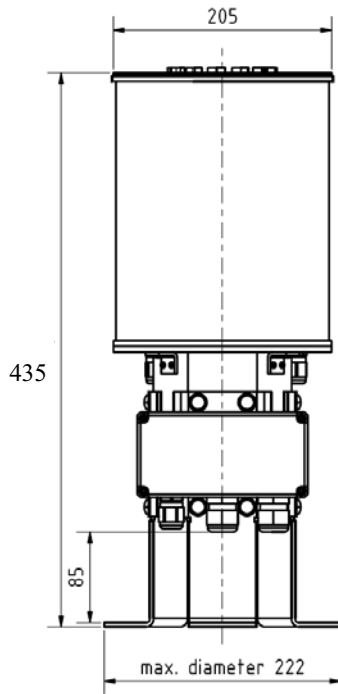
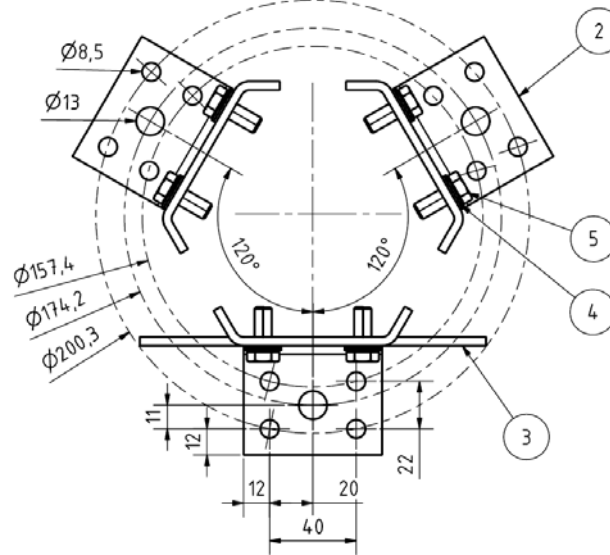
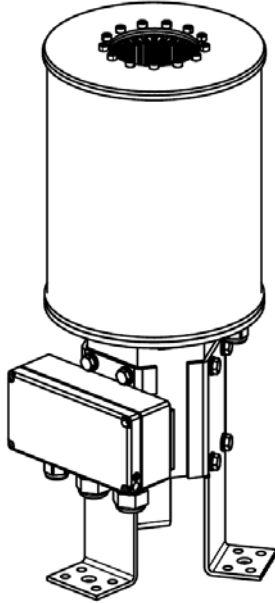


Technical information in this document is subject to change without notice. Copyright © CEL 2006

Medium-intensity, ICAO Type C, B / FAA L-864, L-885 obstacle light,
24V_{DC} operating voltage

CEL - MI-IF-xxx-H

Light unit with -H mounting set. Mounting to Horizontal plate by L-shape brackets



Technical information in this document is subject to change without notice. Copyright © CEL 2006